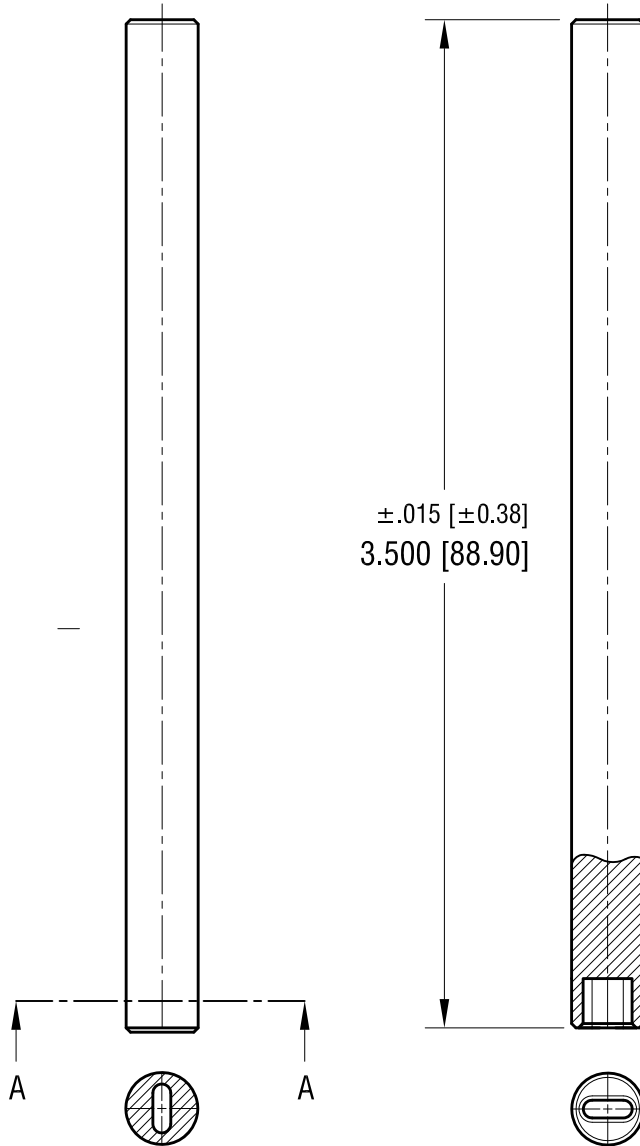
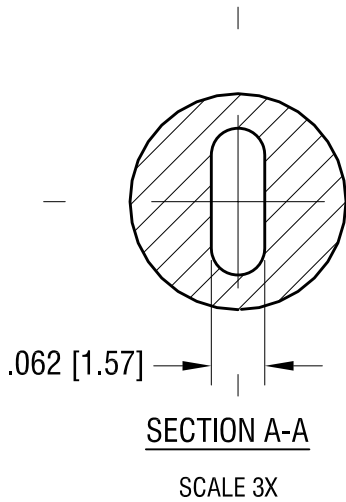
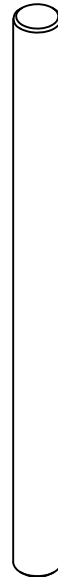
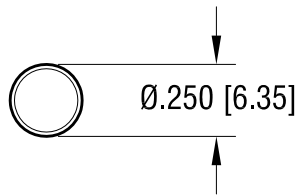


THIS DOCUMENT IS THE PROPERTY OF
KEYSTONE ELECTRONICS CORP. AND
SHALL NOT BE REPRODUCED, DISTRIBUTED
OR USED AS A BASIS FOR MANUFACTURE
WITHOUT PRIOR WRITTEN PERMISSION
FROM KEYSTONE ELECTRONICS CORP.

ACTUAL SIZE



NOTE:
1. FINISH: ZINC PLATE

SECTION A-A

9.15.20	END WAS FLATTENED CHANGE AS PER ECN 20-080	A
DATE	DESCRIPTION	REV.

KEYSTONE ELECTRONICS CORP.			
www.keyelco.com • NEW HYDE PARK, NY 11040 • Tel (516) 328-7500			
PART NAME		INSERTION TOOL	
MATERIAL		CR STEEL	
FINISH		DRN BY	DATE
AS NOTED		NT	8.10.20
		APP'D	SCALE
		RH	1.5X
TOLERANCES	INCH [MM]	CODE	DWG NO.
DECIMAL	± .005 [± 0.13]	C	1322
ANGULAR	± 1/2°		
UNLESS OTHERWISE SPECIFIED			