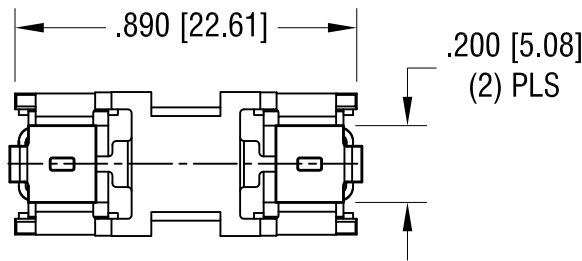
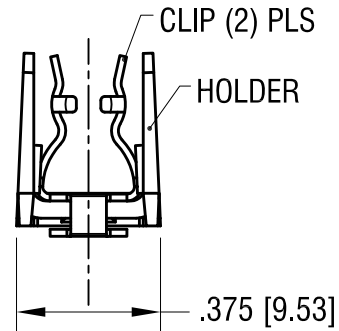
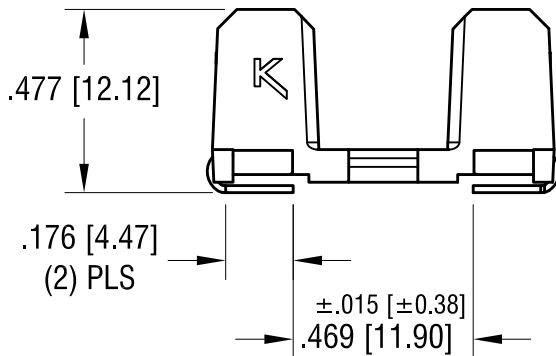
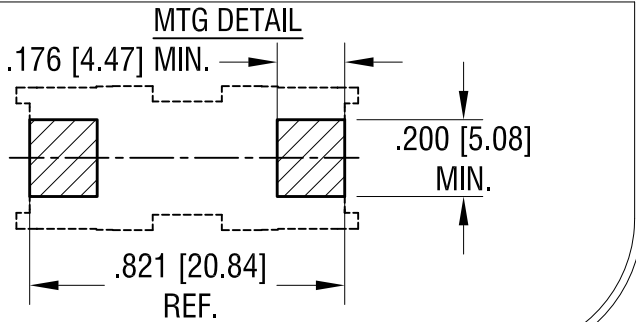
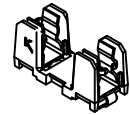


THIS DOCUMENT IS THE PROPERTY OF KEYSTONE ELECTRONICS CORP. AND SHALL NOT BE REPRODUCED, DISTRIBUTED OR USED AS A BASIS FOR MANUFACTURE WITHOUT PRIOR WRITTEN PERMISSION FROM KEYSTONE ELECTRONICS CORP.

ACTUAL SIZE



**NOTE:**

1. HOLDER: MAT'L- PA9T, UL 94V-0, (BLACK COLOR)
2. FUSE CLIP: MAT'L- .017 [0.43] TH'K BRASS
3. FINISH- TIN NICKEL PLATE

**KEYSTONE ELECTRONICS CORP.**

www.keyelco.com • NEW HYDE PARK NY 11040 • Tel (516)328-7500

PART NAME			
SMT FUSE HOLDER FOR 5x20mm FUSE			
MATERIAL			
AS NOTED			
FINISH		DRN BY	DATE
AS NOTED		NT	1.16.24
		APP'D	SCALE
		RH	2X
TOLERANCES	INCH	[MM]	CODE
DECIMAL	± .010	[± 0.25]	C
ANGULAR	± 1°		
UNLESS OTHERWISE SPECIFIED			
DWG NO.		4528	

DATE	DESCRIPTION	REV.