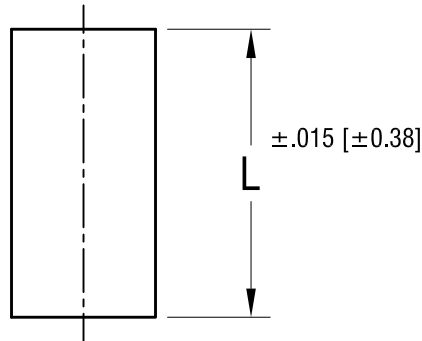
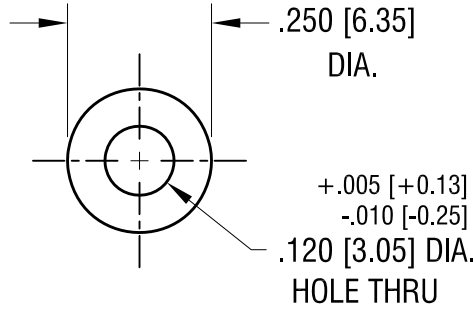


THIS DOCUMENT IS THE PROPERTY OF
KEYSTONE ELECTRONICS CORP. AND
SHALL NOT BE REPRODUCED, DISTRIBUTED
OR USED AS A BASIS FOR MANUFACTURE
WITHOUT PRIOR WRITTEN PERMISSION
FROM KEYSTONE ELECTRONICS CORP.



PART NO.	'L' DIM.
1164	.125 [3.18]
1165	.250 [6.35]
1166	.375 [9.52]
1167	.500 [12.70]
1168	.625 [15.88]
1169	.750 [19.05]
1170	.875 [22.23]
1171	1.000 [25.4]

KEYSTONE ELECTRONICS CORP.

www.keyelco.com • NEW HYDE PARK NY 11040 • Tel (516)328-7500

PART NAME				ACETAL THRU-HOLE SPACER			
MATERIAL				ACETAL			
FINISH		NONE		DRN BY	LV	DATE	7.11.24
				APP'D	RH	SCALE	3X
TOLERANCES	INCH	[MM]	CODE	DWG NO.			
DECIMAL	± .005	[± 0.13]	C	1164-1171			
ANGULAR ± 1°			UNLESS OTHERWISE SPECIFIED				

DATE	DESCRIPTION	REV.
------	-------------	------