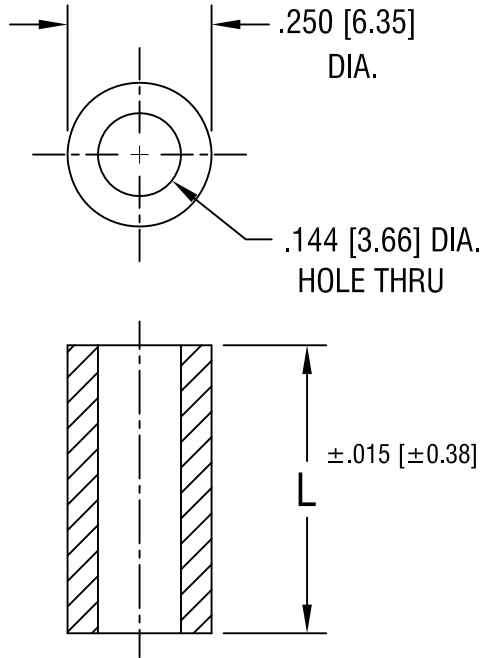


THIS DOCUMENT IS THE PROPERTY OF
KEYSTONE ELECTRONICS CORP. AND
SHALL NOT BE REPRODUCED, DISTRIBUTED
OR USED AS A BASIS FOR MANUFACTURE
WITHOUT PRIOR WRITTEN PERMISSION
FROM KEYSTONE ELECTRONICS CORP.



PART NO.	'L' DIM.
1176	.125 [3.18]
1177	.250 [6.35]
1178	.375 [9.52]
1179	.500 [12.70]
1180	.625 [15.88]
1181	.750 [19.05]
1182	.875 [22.23]
1183	1.000 [25.4]

KEYSTONE ELECTRONICS CORP.

www.keyelco.com • NEW HYDE PARK NY 11040 • Tel (516)328-7500

PART NAME				ACETAL THRU-HOLE SPACER			
MATERIAL				ACETAL			
FINISH		DRN BY		DATE			
NONE		LV		7.11.24			
		APP'D		SCALE			
		MR		3X			
TOLERANCES		INCH [MM]		CODE		DWG NO.	
DECIMAL		± .005 [± 0.13]		C		1176-1183	
ANGULAR		± 1°					
UNLESS OTHERWISE SPECIFIED							

DATE	DESCRIPTION	REV.
------	-------------	------