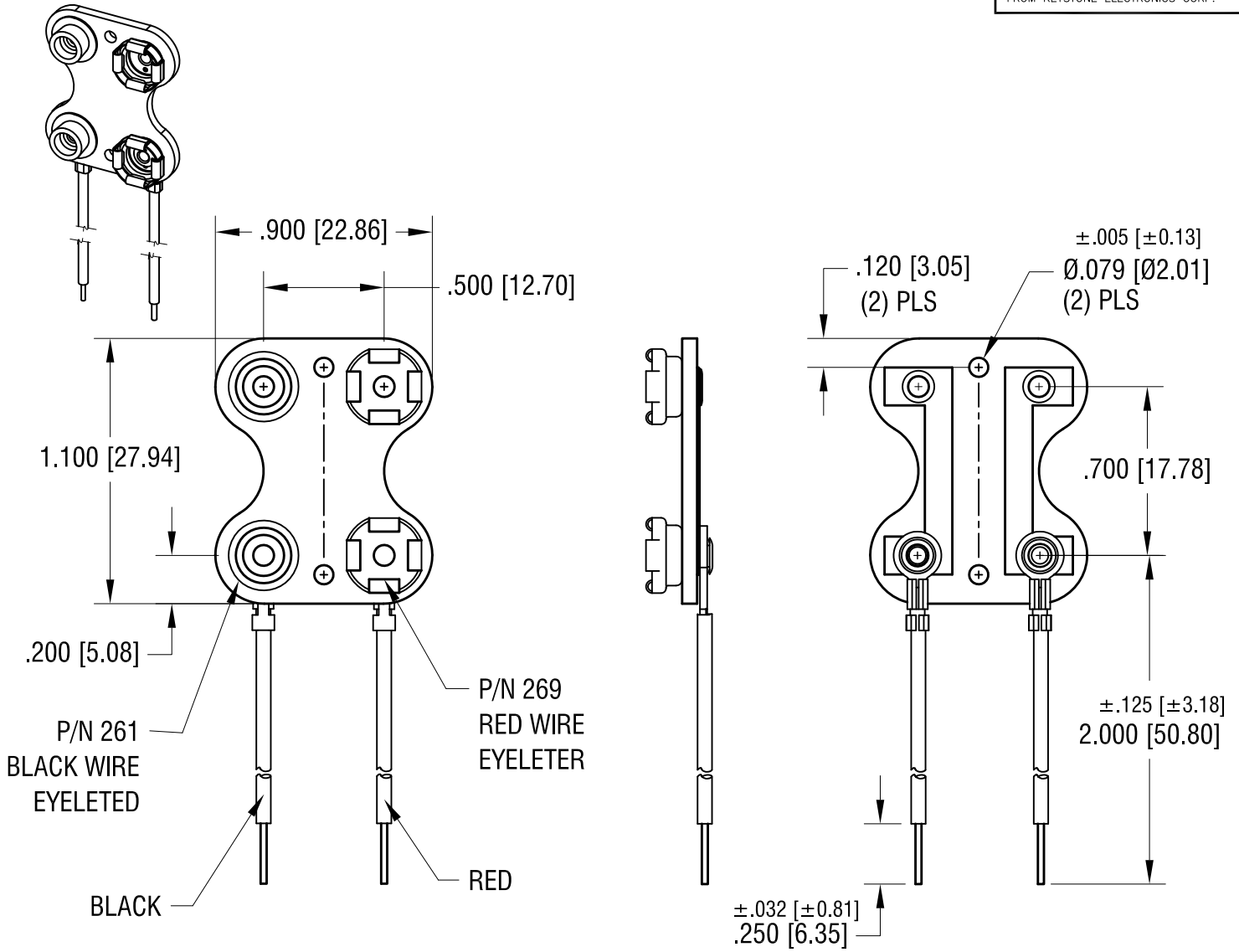


THIS DOCUMENT IS THE PROPERTY OF KEYSTONE ELECTRONICS CORP. AND SHALL NOT BE REPRODUCED, DISTRIBUTED OR USED AS A BASIS FOR MANUFACTURE WITHOUT PRIOR WRITTEN PERMISSION FROM KEYSTONE ELECTRONICS CORP.

ACTUAL SIZE



NOTES:

1. MAT'L -
 WIRE: 22 AWG, 1061 UL/CSA APPROVED
 .052 [1.32] O.D. PVC & .062 [1.57] FIBER
 INSULATION. RED WIRE EYELETER TO FEMALE
 CONTACT; BLACK WIRE EYELETER TO MALE CONTACT.
2. BASE: MAT'L- .062 [1.57] TH'K FIBRE

KEYSTONE ELECTRONICS CORP.			
www.keyelco.com • NEW HYDE PARK, NY 11040 • Tel (516) 328-7500			
PART NAME			
'9' VOLT BATTERY STRAP-PARALLEL			
MATERIAL			
AS NOTED			
FINISH		DRN BY	DATE
AS NOTED		LV	10.22.24
		APP'D	SCALE
		RH	1.5X
TOLERANCES	INCH [MM]	CODE	DWG NO.
DECIMAL	±.010 [±0.25]	C	227-2
ANGULAR	± 1°		
UNLESS OTHERWISE SPECIFIED			

DATE	DESCRIPTION	REV.