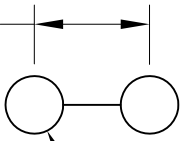


MOUNTING LAYOUT FOR TWO CLIPS

.150 [3.81]

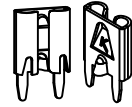


±.002 [±0.05]

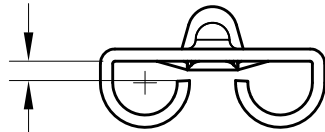
.100 [2.54] DIA. HOLE (4) PLS

THIS DOCUMENT IS THE PROPERTY OF KEYSTONE ELECTRONICS CORP. AND SHALL NOT BE REPRODUCED, DISTRIBUTED OR USED AS A BASIS FOR MANUFACTURE WITHOUT PRIOR WRITTEN PERMISSION FROM KEYSTONE ELECTRONICS CORP.

ACTUAL SIZE

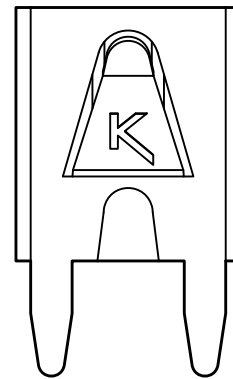
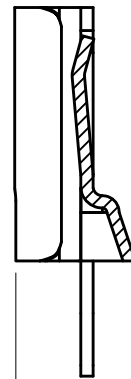
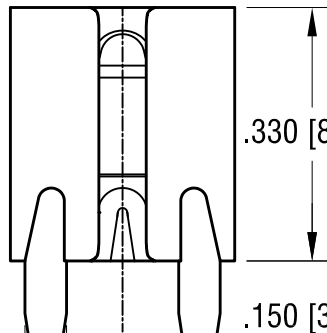


.032 [0.81] FOR THICK TERMINAL



.292 [7.42]

.102 [2.59] REF.



.054 [1.37] (2) PLS

.200 [5.08]

.156 [3.95] REF.

KEYSTONE ELECTRONICS CORP.

www.keyelco.com • NEW HYDE PARK, NY 11040 • Tel (516) 328-7500

PART NAME

.250 X.032 QUICK-FIT

MATERIAL

.016 [0.40] TH'K BRASS

FINISH

TIN NICKEL PLATE

DRN BY

LV

DATE

4.01.25

APP'D

RH

SCALE

4X

TOLERANCES

INCH [MM]

CODE

DWG NO.

DECIMAL ±.005 [±0.13]

C

ANGULAR ± 1° UNLESS OTHERWISE SPECIFIED

3580

DATE

DESCRIPTION

REV.