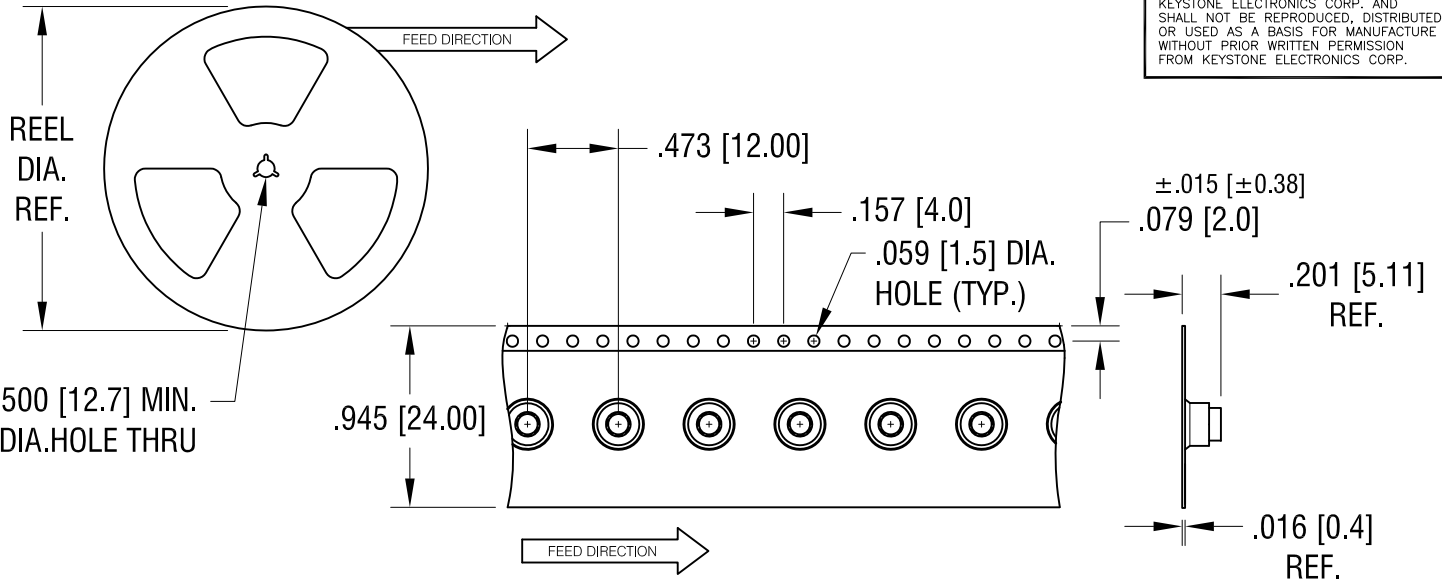
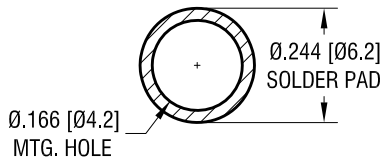


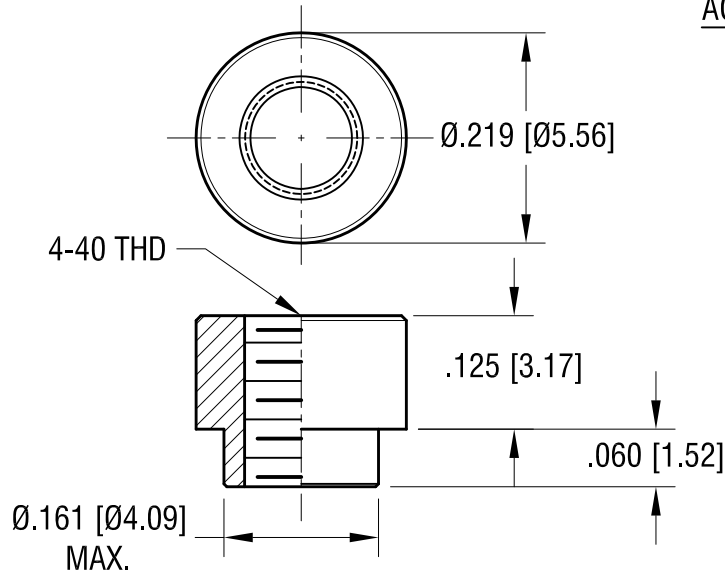
THIS DOCUMENT IS THE PROPERTY OF
KEYSTONE ELECTRONICS CORP. AND
SHALL NOT BE REPRODUCED, DISTRIBUTED
OR USED AS A BASIS FOR MANUFACTURE
WITHOUT PRIOR WRITTEN PERMISSION
FROM KEYSTONE ELECTRONICS CORP.



MOUNTING DETAIL



ACTUAL SIZE



NOTES:

1. SUPPLIED ON TAPE AND REEL ONLY.
TAPE AND REEL SPECIFICATIONS:
2. TAPE:
MAT'L - ALL CONDUCTIVE POLYSTYRENE CARRIER
ANSI/EIA-481 STANDARD
3. REEL:
13" [330.2] DIA. 1000 PIECES PER REEL
4. KAPTON TAPE ADDED TO TOP SURFACE
OF STANDOFF

KEYSTONE ELECTRONICS CORP.			
www.keyelco.com • NEW HYDE PARK, NY 11040 • Tel (516) 328-7500			
PART NAME		SCREW TERMINAL	
MATERIAL		BRASS	
FINISH	DRN BY	DATE	
ELECTRO-TIN	NT	1.19.21	
	APP'D	SCALE	
	RH	5X,1X	
TOLERANCES	INCH	[MM]	CODE
DECIMAL	$\pm .005$	[± 0.13]	C
ANGULAR	$\pm 1^\circ$		
UNLESS OTHERWISE SPECIFIED			
DATE	DESCRIPTION	REV.	DWG NO.
			8744