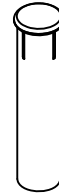
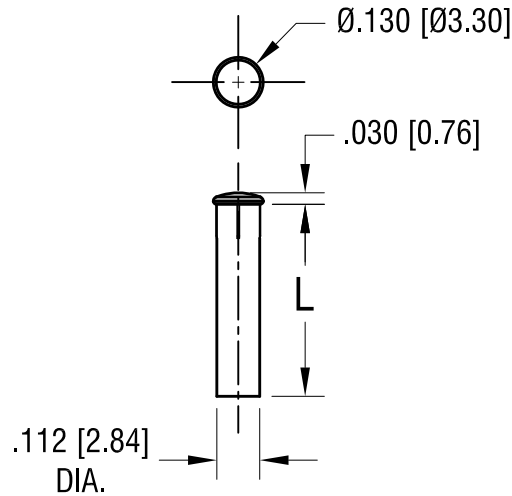


THIS DOCUMENT IS THE PROPERTY OF
KEYSTONE ELECTRONICS CORP. AND
SHALL NOT BE REPRODUCED, DISTRIBUTED
OR USED AS A BASIS FOR MANUFACTURE
WITHOUT PRIOR WRITTEN PERMISSION
FROM KEYSTONE ELECTRONICS CORP.



P/N: 8751



PART NO.	'L' DIM.
8747	.125 [3.18]
8748	.250 [6.35]
8749	.350 [8.89]
8750	.375 [9.53]
8751	.500 [12.70]
8752	.625 [15.88]
8753	.750 [19.05]
8754	1.000 [25.40]

NOTES:

1. MOUNTING HOLE SIZE: .118 [3.00]
2. MATERIAL: POLYCARBONATE, UL94-V2
COLOR: TRANSPARENT.

KEYSTONE ELECTRONICS CORP.

www.keyelco.com • NEW HYDE PARK NY 11040 • Tel (516)328-7500

PART NAME		LIGHT PIPE	
MATERIAL		AS NOTED	
FINISH	NONE	DRN BY	LV
		DATE	7.11.25
		APP'D	RH
		SCALE	1X
TOLERANCES	INCH [MM]	CODE	DWG NO.
DECIMAL	± .005 [± 0.13]	C	8747-8754
ANGULAR	± 1°		
UNLESS OTHERWISE SPECIFIED			

DATE	DESCRIPTION	REV.
------	-------------	------