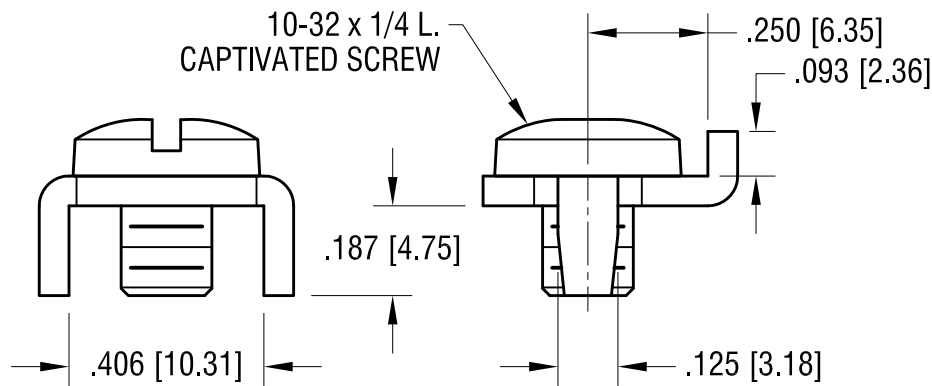
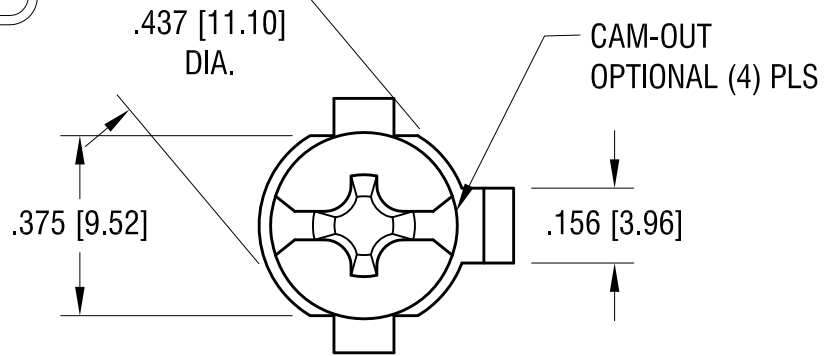
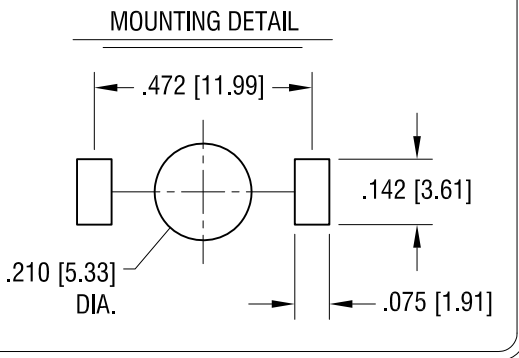
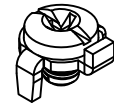


THIS DOCUMENT IS THE PROPERTY OF KEYSTONE ELECTRONICS CORP. AND SHALL NOT BE REPRODUCED, DISTRIBUTED OR USED AS A BASIS FOR MANUFACTURE WITHOUT PRIOR WRITTEN PERMISSION FROM KEYSTONE ELECTRONICS CORP.

**ACTUAL SIZE**



**NOTES:**

1. TERMINAL:  
MAT'L - .062 [1.57] TH'K BRASS, MATTE TIN PLATE
2. SCREW:  
MAT'L - STAINLESS STEEL  
FINISH - NONE

2.01.17	CHANGE AS PER ECN 17-014	E
7.15.09	CHANGE AS PER ECN 09-102	D
1.09.08	CHANGE AS PER ECN 08-040	C
DATE	DESCRIPTION	REV.

<b>KEYSTONE ELECTRONICS CORP.</b>			
www.keyelco.com • NEW HYDE PARK, NY 11040 • Tel (516) 328-7500			
PART NAME		SCREW TERMINAL	
MATERIAL		AS NOTED	
FINISH		AS NOTED	
TOLERANCES		INCH	[MM]
DECIMAL		± .010	[± 0.25]
ANGULAR		± 1°	
UNLESS OTHERWISE SPECIFIED		CODE	C
DRN BY	BOONE	DATE	7.01.99
APP'D	RH	SCALE	2.5X
DWG NO.		<b>1202</b>	