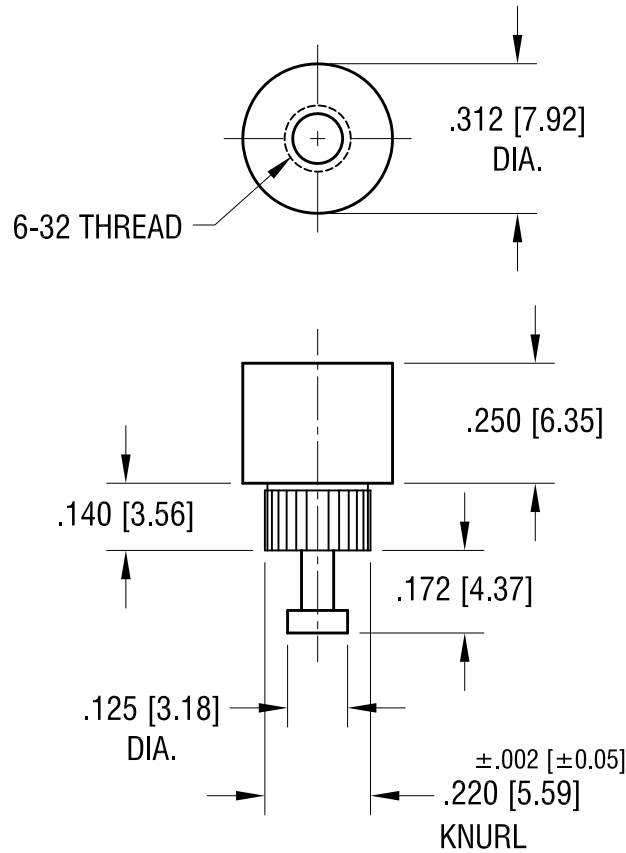
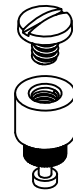


ACTUAL SIZE



NOTES:

1. TERMINAL P/N : F1535-1
MAT'L - BRASS, MATTE TIN PLATE
SCREW P/N 9406
MAT'L - STEEL, ZINC PLATE
2. (1) ONE 6-32 x 3/16 L.
SCREW SUPPLIED LOOSE.

KEYSTONE ELECTRONICS CORP.			
www.keyelco.com • NEW HYDE PARK NY 11040 • Tel (516)328-7500			
PART NAME			
BINDING POST SCREW TERMINAL			
MATERIAL			
AS NOTED			
FINISH		DRN BY	DATE
AS NOTED		BOONE	5.24.82
		APP'D	SCALE
		RH	2.5X
TOLERANCES	INCH [MM]	CODE	DWG NO.
DECIMAL	± .005 [± 0.13]	C	1535
ANGULAR	± 1°		
UNLESS OTHERWISE SPECIFIED			

7.16.09	CHANGE AS PER ECN 09-109	D
1.13.06	CHANGE AS PER ECN 06-005	C
DATE	DESCRIPTION	REV.