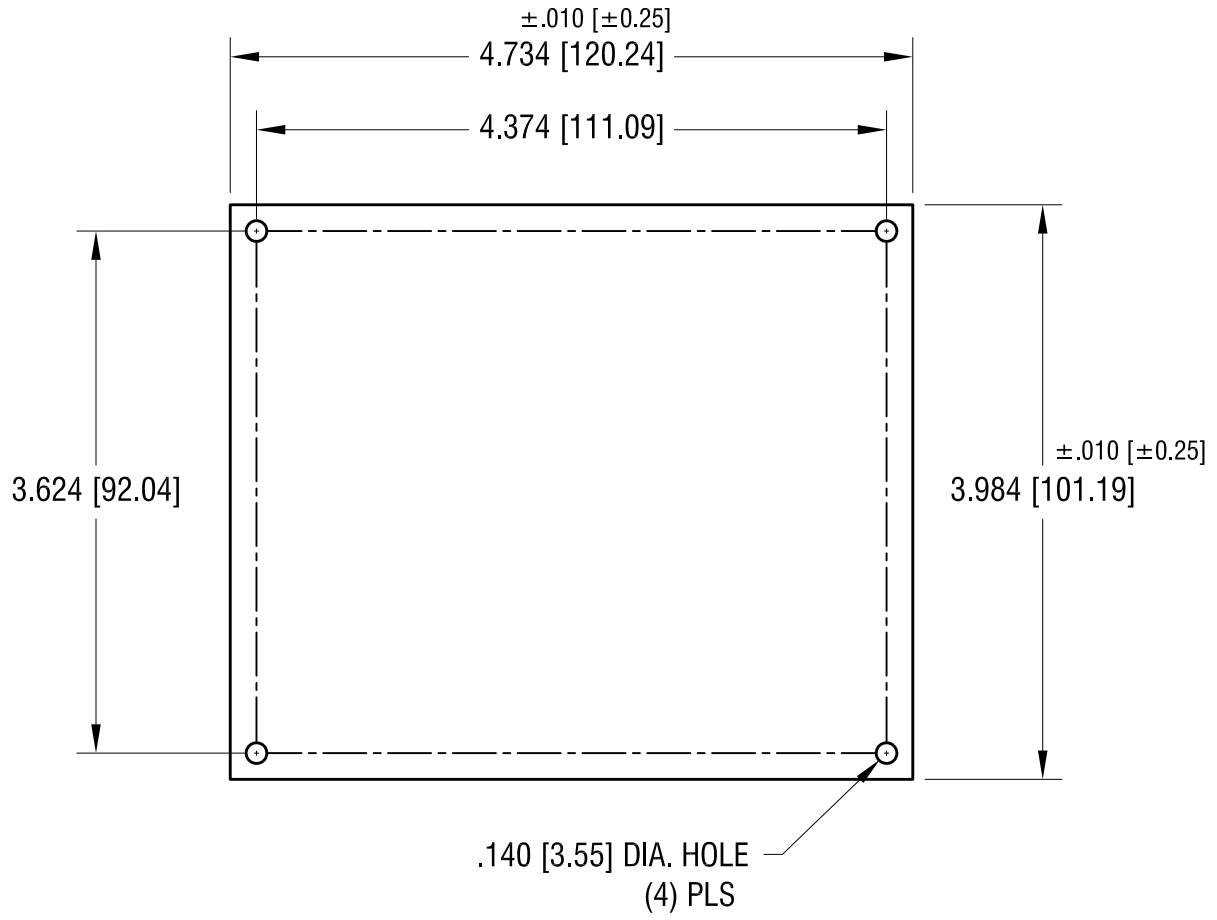


THIS DOCUMENT IS THE PROPERTY OF
KEYSTONE ELECTRONICS CORP. AND
SHALL NOT BE REPRODUCED, DISTRIBUTED
OR USED AS A BASIS FOR MANUFACTURE
WITHOUT PRIOR WRITTEN PERMISSION
FROM KEYSTONE ELECTRONICS CORP.



11.05.24	UPDATED DIMENSIONS & TH'K.	B
7.31.24	UPDATED MAT'L THICKNESS. CHANGE AS PER PCN 24-039.	A
DATE	DESCRIPTION	REV.

KEYSTONE ELECTRONICS CORP.			
www.keyelco.com • NEW HYDE PARK NY 11040 • Tel (516)328-7500			
PART NAME		PANEL	
MATERIAL		.063 [1.60] TH'K BLACK PHENOLIC	
FINISH		DRN BY	DATE
NONE		BOONE	1.28.98
		APP'D	SCALE
		RH	.75X
TOLERANCES	INCH [MM]	CODE	DWG NO.
DECIMAL	$\pm .005$ [± 0.13]	C	2052
ANGULAR	$\pm 1^\circ$		
UNLESS OTHERWISE SPECIFIED			