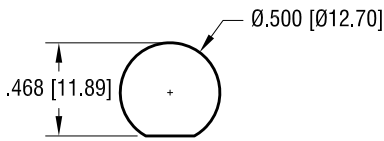
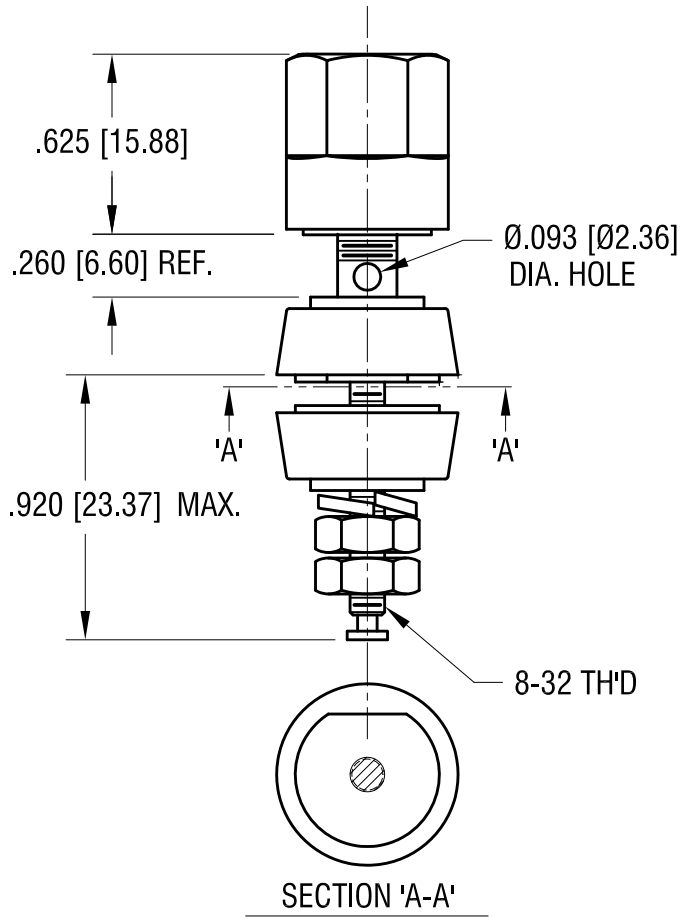


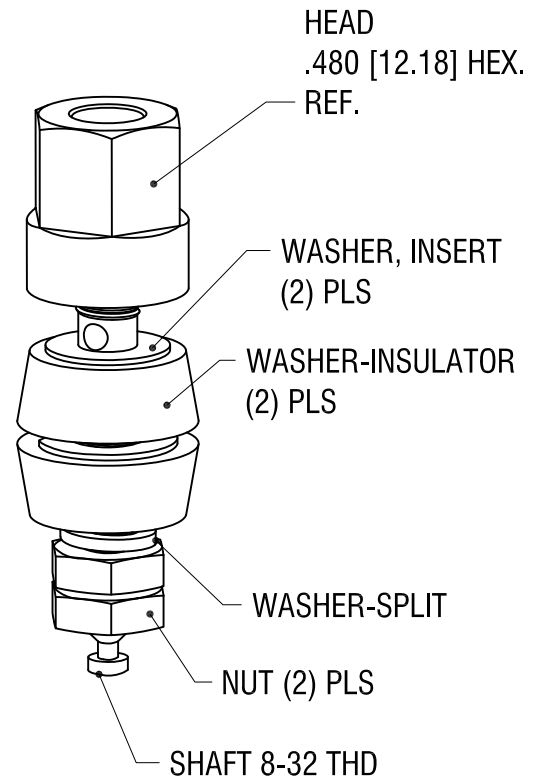
MOUNTING DETAIL



THIS DOCUMENT IS THE PROPERTY OF KEYSTONE ELECTRONICS CORP. AND SHALL NOT BE REPRODUCED, DISTRIBUTED OR USED AS A BASIS FOR MANUFACTURE WITHOUT PRIOR WRITTEN PERMISSION FROM KEYSTONE ELECTRONICS CORP.



P/N	TH'D	COLOR
4091	8-32	RED
4092	8-32	BLACK



DESCRIPTION	MAT'L	FINISH
HEAD	NYLON	-
WASHER, INSULATOR	NYLON	-
WASHER, INSERT	BRASS	NICKEL PL.
WASHER, SPLIT	BRASS	NICKEL PL.
NUT	BRASS	NICKEL PL.
SHAFT 8-32 TH'D	BRASS	NICKEL PL.

DATE	DESCRIPTION	REV.
6.02.08	CHANGE AS PER ECN 08-107	B
2.17.06	CHANGE AS PER ECN 06-013	A

KEYSTONE ELECTRONICS CORP.
 www.keyelco.com • NEW HYDE PARK, NY 11040 • Tel (516) 328-7500

PART NAME: STANDARD 'HEX' BINDING POST

MATERIAL: AS NOTED

FINISH: AS NOTED	DRN BY: BOONE	DATE: 11.17.93
	APP'D: RH	SCALE: 1.5X

TOLERANCES INCH [MM]
 DECIMAL ± .005 [± 0.13]
 ANGULAR ± 1°
 UNLESS OTHERWISE SPECIFIED

CODE: C

DWG NO.: 4091-4092