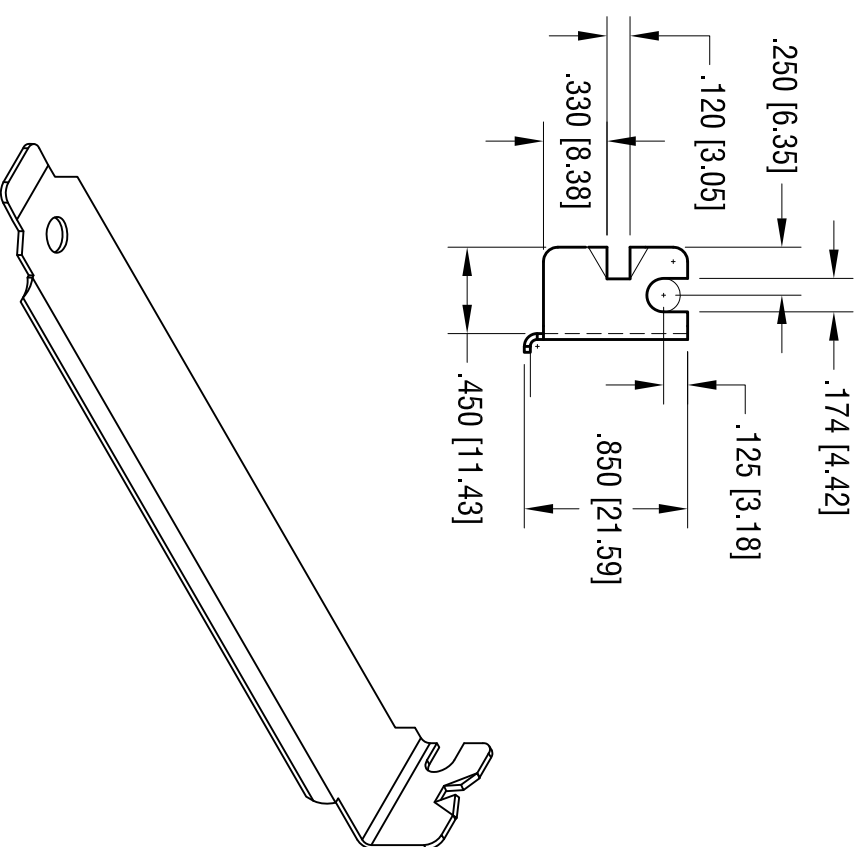
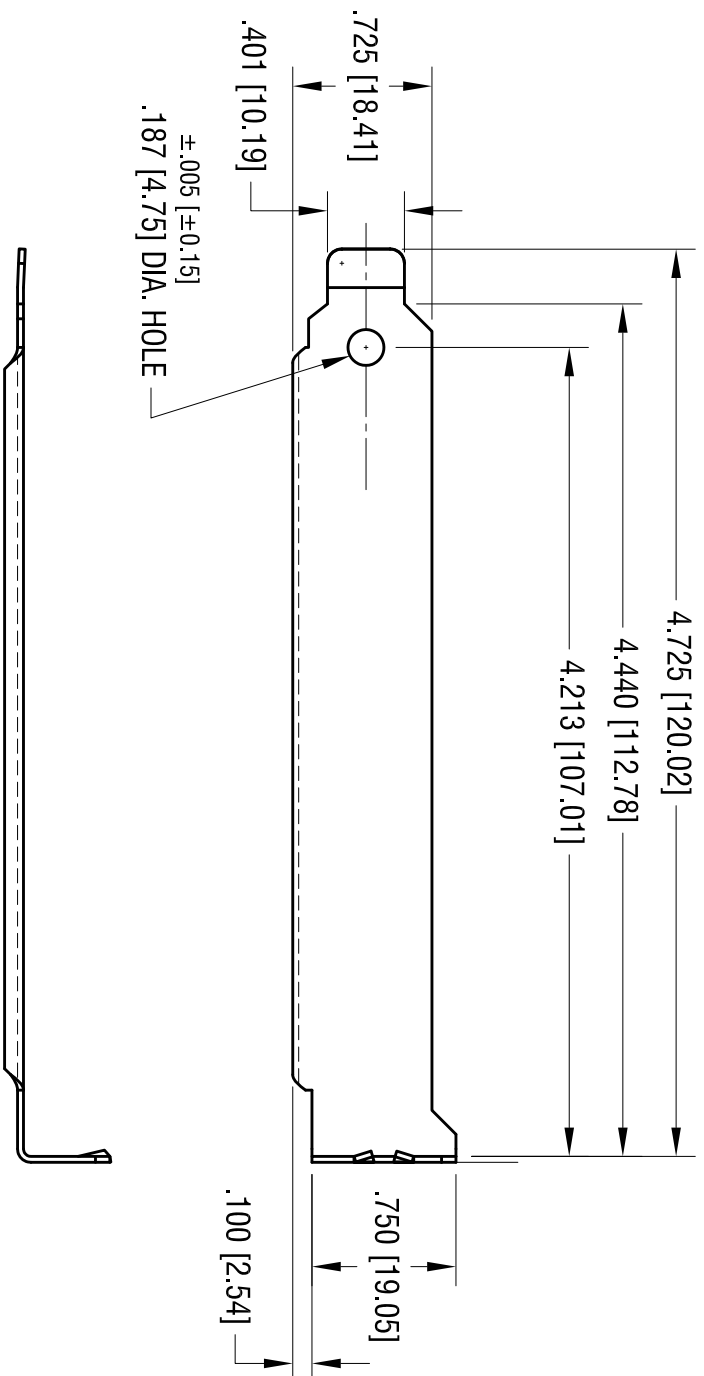


| DATE | DESCRIPTION | REV. |
|---------|--------------------------|------|
| 6.22.05 | CHANGE AS PER ECN 05-043 | A |
| 8.19.15 | CHANGE AS PER ECN 15-082 | B |



KEYSTONE ELECTRONICS CORP.

www.keyelco.com • NEW HYDE PARK, NY 11040 • Tel (516) 328-7500

PART NAME

COMPUTER BRACKET

MATERIAL

.032 [0.81] THK STEEL

FINISH

NICKEL PLATE

| TOLERANCES | INCH | [MM] | CODE | DWG NO. |
|----------------------------|---------------|----------------|------|---------|
| DECIMAL | $\pm .015$ | [± 0.38] | C | 9201 |
| ANGULAR | $\pm 1^\circ$ | | | |
| UNLESS OTHERWISE SPECIFIED | | | | |

THIS DOCUMENT IS THE PROPERTY OF KEYSTONE ELECTRONICS CORP. AND SHALL NOT BE REPRODUCED, DISTRIBUTED OR USED AS A BASIS FOR MANUFACTURE WITHOUT PRIOR WRITTEN PERMISSION FROM KEYSTONE ELECTRONICS CORP.

DRN BY BOONE DATE 6.15.98

App'd LN SCALE 1X