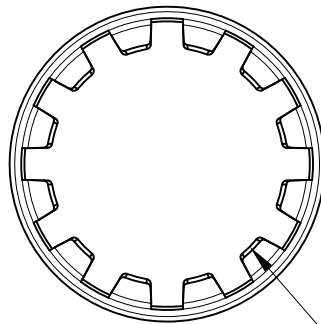
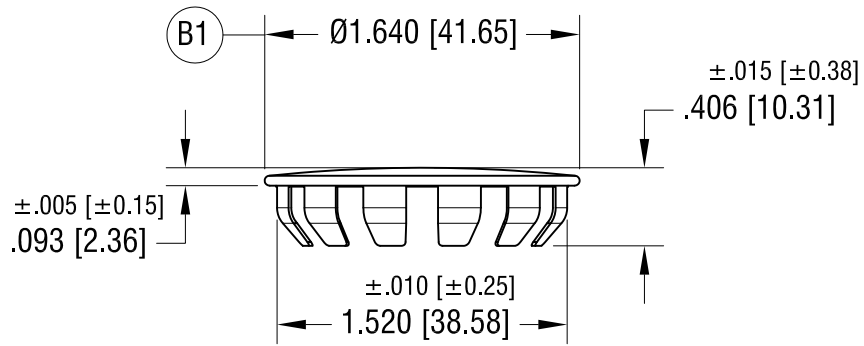
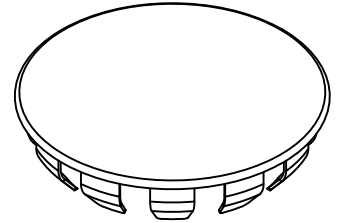


THIS DOCUMENT IS THE PROPERTY OF
KEYSTONE ELECTRONICS CORP. AND
SHALL NOT BE REPRODUCED, DISTRIBUTED
OR USED AS A BASIS FOR MANUFACTURE
WITHOUT PRIOR WRITTEN PERMISSION
FROM KEYSTONE ELECTRONICS CORP.

ACTUAL SIZE



PRONGS (12) PLS

NOTE:

1. DESIGN FOR:

MAT'L THICKNESS .032 [0.81] - .062 [1.57]

FOR 1.5 [38.1] HOLE DIA.

7.01.21	(B1) WAS 1.625±.005 CHANGE AS PER ECN 21-062	B
1.22.09	CHANGE AS PER ECN 09-003	A
DATE	DESCRIPTION	REV.

KEYSTONE ELECTRONICS CORP.			
www.keyelco.com • NEW HYDE PARK, NY 11040 • Tel (516) 328-7500			
PART NAME		HOLE PLUG	
MATERIAL		STEEL	
FINISH		DRN BY	DATE
NICKEL PLATE		NT	1.22.09
		APP'D	SCALE
		LN	
TOLERANCES	INCH [MM]	CODE	DWG NO.
DECIMAL	± .005 [± 0.13]	C	7611
ANGULAR	± 1°		
UNLESS OTHERWISE SPECIFIED			