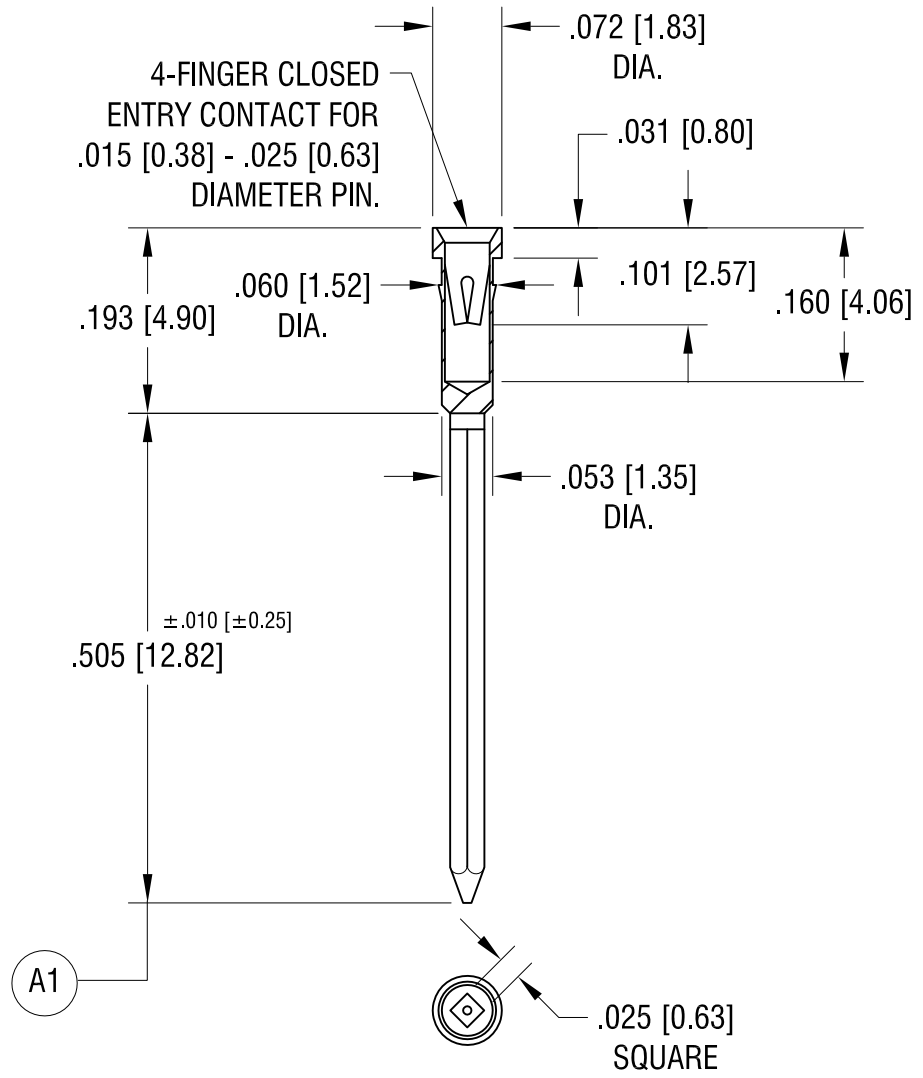


THIS DOCUMENT IS THE PROPERTY OF
KEYSTONE ELECTRONICS CORP. AND
SHALL NOT BE REPRODUCED, DISTRIBUTED
OR USED AS A BASIS FOR MANUFACTURE
WITHOUT PRIOR WRITTEN PERMISSION
FROM KEYSTONE ELECTRONICS CORP.



NOTES:

1. BODY: MAT'L - BRASS, TIN - LEAD PLATE
SPRING CONTACT: MAT'L - BERYLLIUM COPPER, GOLD PLATE.
2. MOUNTING HOLE DIA.: .055 [1.40]

TOLERANCE ON DIAMETERS: ±.002

KEYSTONE ELECTRONICS CORP.			
www.keyelco.com • NEW HYDE PARK NY 11040 • Tel (516)328-7500			
PART NAME			
IC SOCKET CONTACT - PRESS-FIT			
MATERIAL			
AS NOTED			
FINISH		DRN BY	DATE
AS NOTED		NT	3.11.08
		APP'D	SCALE
		RH	5X
TOLERANCES	INCH [MM]	CODE	DWG NO.
DECIMAL	± .005 [± 0.13]	C	3508
ANGULAR	± 1°		
UNLESS OTHERWISE SPECIFIED			

7.18.24	NO FUNCTIONAL CHANGES TO PART, UPDATED (A1) DIM. & TOLERANCES.	A
DATE	DESCRIPTION	REV.