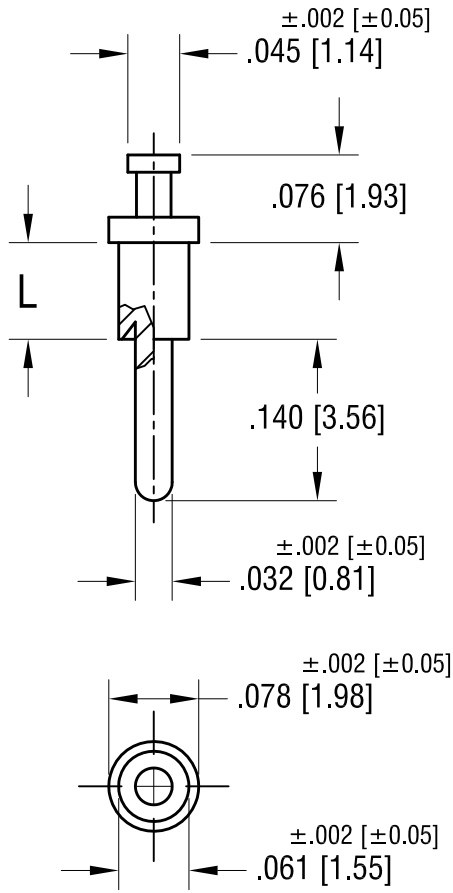


THIS DOCUMENT IS THE PROPERTY OF
KEYSTONE ELECTRONICS CORP. AND
SHALL NOT BE REPRODUCED, DISTRIBUTED
OR USED AS A BASIS FOR MANUFACTURE
WITHOUT PRIOR WRITTEN PERMISSION
FROM KEYSTONE ELECTRONICS CORP.



PART NO.	'L' DIM.
1633-1	.054 [1.37]
1633-2	.084 [2.13]
1633-3	.115 [2.92]
1633-4	.147 [3.73]

KEYSTONE ELECTRONICS CORP.			
www.keyelco.com • NEW HYDE PARK NY 11040 • Tel (516)328-7500			
PART NAME			
TERMINAL			
MATERIAL		BRASS	
FINISH		DRN BY	DATE
TIN PLATE		BOONE	6.08.82
		APP'D	SCALE
		RH	1X
TOLERANCES		INCH	[MM]
DECIMAL		± .005	[± 0.13]
ANGULAR		± 1°	
UNLESS OTHERWISE SPECIFIED		CODE	DWG NO.
		C	1633-

4.17.26	SPLITTED 'C' & 'M' DWG.	C
DATE	DESCRIPTION	REV.