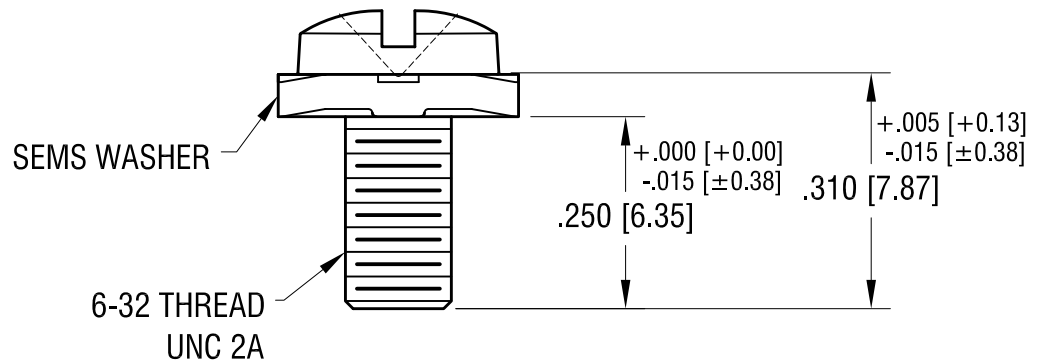
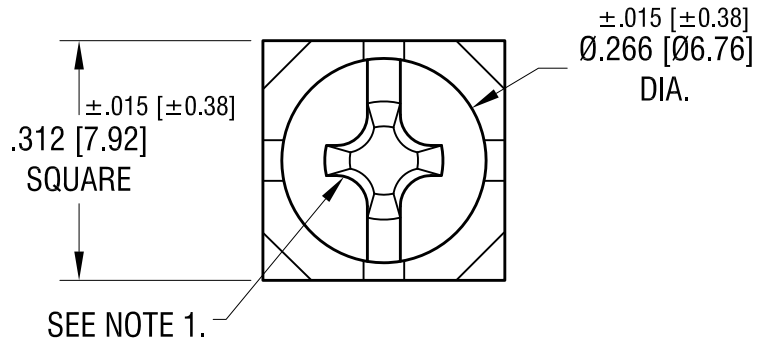


THIS DOCUMENT IS THE PROPERTY OF
KEYSTONE ELECTRONICS CORP. AND
SHALL NOT BE REPRODUCED, DISTRIBUTED
OR USED AS A BASIS FOR MANUFACTURE
WITHOUT PRIOR WRITTEN PERMISSION
FROM KEYSTONE ELECTRONICS CORP.

ACTUAL SIZE



NOTE:

1. TO ACCEPT STANDARD SLOT OR PHILLIPS DRIVE.

3.06.18	CHANGE AS PER ECN 18-014	B
5.10.16	CHANGE AS PER ECN 16-053	A
DATE	DESCRIPTION	REV.

KEYSTONE ELECTRONICS CORP.			
www.keyelco.com • NEW HYDE PARK, NY 11040 • Tel (516) 328-7500			
PART NAME		COMBINATION SEMS SCEW	
MATERIAL		STEEL	
FINISH		DRN BY	DATE
NICKEL PLATE		NT	10.21.09
		APP'D	SCALE
		LN	4X
TOLERANCES	INCH [MM]	CODE	DWG NO.
DECIMAL	± .005 [± 0.13]	C	9920
ANGULAR	± 1°		
UNLESS OTHERWISE SPECIFIED			