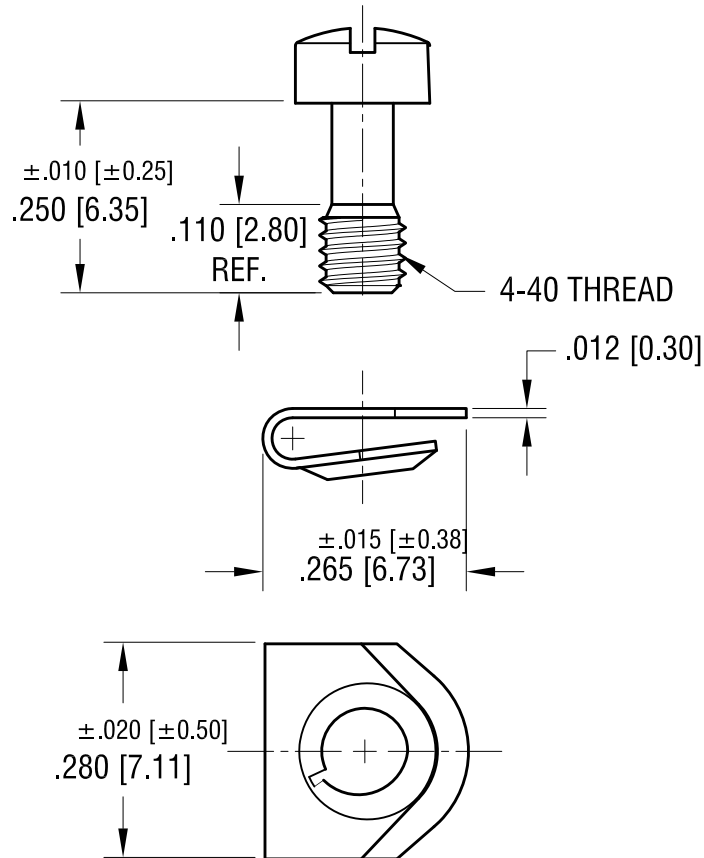


THIS DOCUMENT IS THE PROPERTY OF  
KEYSTONE ELECTRONICS CORP. AND  
SHALL NOT BE REPRODUCED, DISTRIBUTED  
OR USED AS A BASIS FOR MANUFACTURE  
WITHOUT PRIOR WRITTEN PERMISSION  
FROM KEYSTONE ELECTRONICS CORP.

ACTUAL SIZE



**NOTE:**

1. FINISH: ZINC PLATE, TRIVALENT AND YELLOW CHROMATE
2. SCREW SUPPLIED UNASSEMBLED

11.02.21	CHANGE AS PER ECN 21-123	D
8.19.21	CHANGE AS PER ECN 21-090	C
9.10.08	CHANGE AS PER ECN 08-151	B
7.18.05	CHANGE AS PER ECN 05-049	A
DATE	DESCRIPTION	REV.

<b>KEYSTONE ELECTRONICS CORP.</b>			
www.keyelco.com • NEW HYDE PARK, NY 11040 • Tel (516) 328-7500			
PART NAME		LOCK ASSEMBLY 'U' TYPE	
MATERIAL		STEEL	
FINISH		DRN BY	DATE
AS NOTED		BOONE	1.24.97
		APP'D	SCALE
		RH	4X
TOLERANCES	INCH [MM]	CODE	DWG NO.
DECIMAL	$\pm .005$ [ $\pm 0.13$ ]	C	<b>2062</b>
ANGULAR	$\pm 1^\circ$		
UNLESS OTHERWISE SPECIFIED			