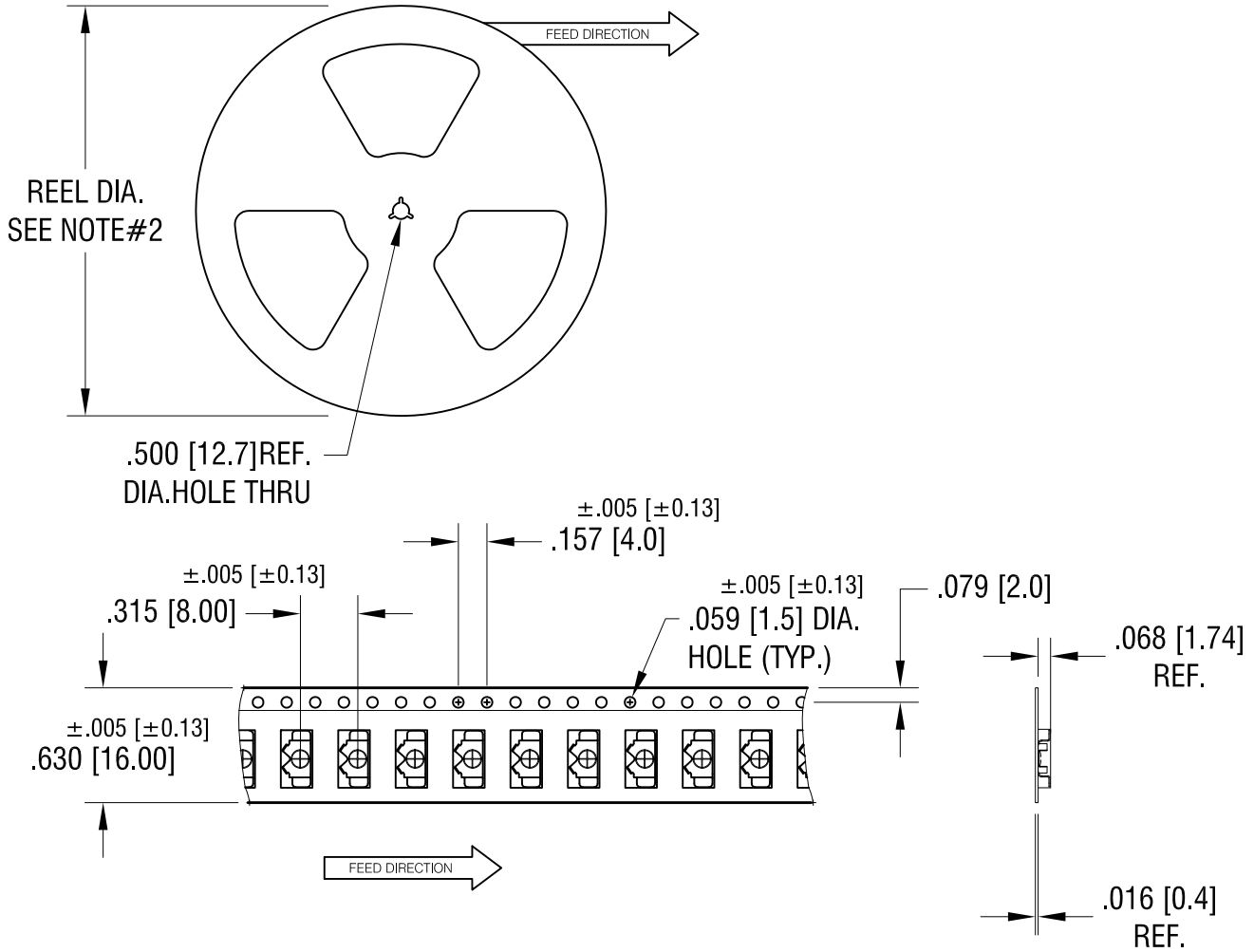


THIS DOCUMENT IS THE PROPERTY OF  
KEYSTONE ELECTRONICS CORP. AND  
SHALL NOT BE REPRODUCED, DISTRIBUTED  
OR USED AS A BASIS FOR MANUFACTURE  
WITHOUT PRIOR WRITTEN PERMISSION  
FROM KEYSTONE ELECTRONICS CORP.



NOTES:

TAPE AND REEL SPECIFICATIONS:

1. TAPE:

MAT'L - ALL CONDUCTIVE POLYSTYRENE CARRIER  
ANSI/EIA-481 STANDARD

2. REEL:

13.0 [330.2] DIA. 1500 PIECES OF  
PART NO. 2994 REV. F PER REEL.

2.29.24	NO CHANGES TO PART	C
2.21.18	CHANGE AS PER ECN 18-009	B
9.17.15	CHANGE AS PER ECN 15-102	A
DATE	DESCRIPTION	REV.

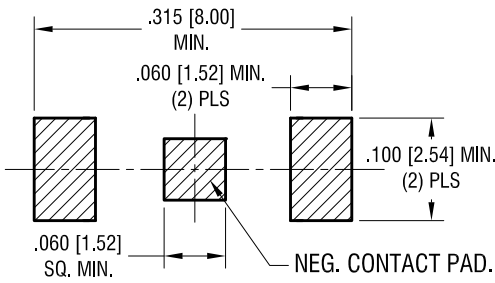
<b>KEYSTONE ELECTRONICS CORP.</b>			
www.keyelco.com • NEW HYDE PARK, NY 11040 • Tel (516) 328-7500			
PART NAME			
4.8 mm SMT RETAINER ON TAPE AND REEL			
MATERIAL			
AS NOTED			
FINISH		DRN BY	DATE
AS NOTED		NT	9.17.15
		APP'D	SCALE
		<b>MR</b>	X
TOLERANCES	INCH [MM]	CODE	DWG NO.
DECIMAL	$\pm .015$ [ $\pm 0.38$ ]	C	<b>2994TR</b>
ANGULAR	$\pm 1^\circ$		
UNLESS OTHERWISE SPECIFIED			

THIS DOCUMENT IS THE PROPERTY OF KEYSTONE ELECTRONICS CORP. AND SHALL NOT BE REPRODUCED, DISTRIBUTED OR USED AS A BASIS FOR MANUFACTURE WITHOUT PRIOR WRITTEN PERMISSION FROM KEYSTONE ELECTRONICS CORP.

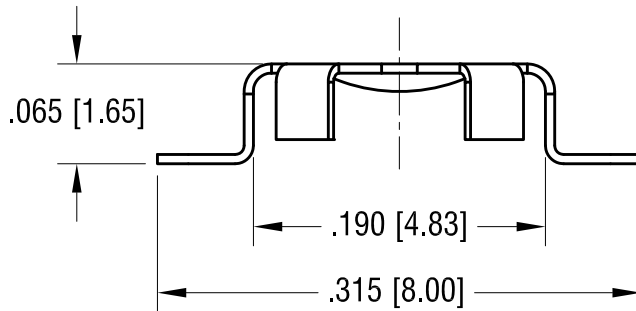
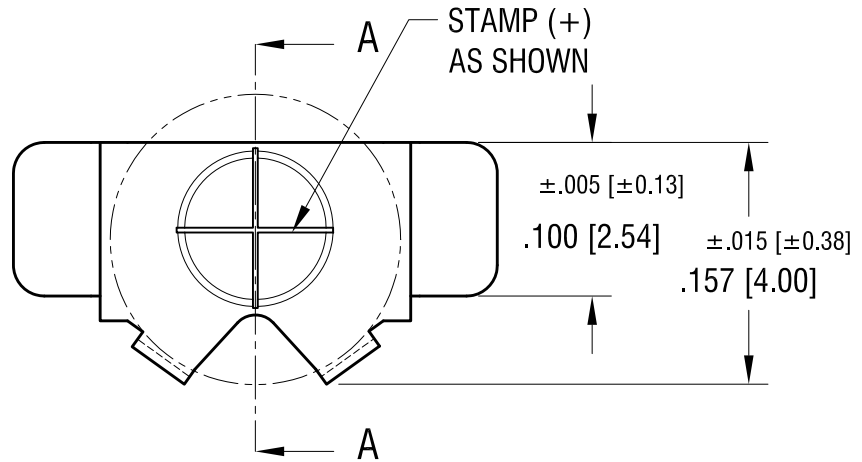
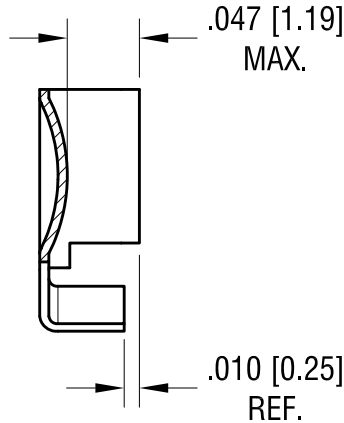
**ACTUAL SIZE**



**MOUNTING PAD LAYOUT**



**SECTION A-A**



2.29.24	NO CHANGES TO PART	F
1.29.18	CHANGE AS PER ECN 18-007	E
12.19.17	CHANGE AS PER ECN 17-080	D
5.07.15	CHANGE AS PER ECN 15-045	C
11.09.09	CHANGE AS PER ECN 09-165	B
10.19.09	CHANGE AS PER ECN 09-149	A
DATE	DESCRIPTION	REV.

<b>KEYSTONE ELECTRONICS CORP.</b>		
www.keyelco.com • NEW HYDE PARK, NY 11040 • Tel (516) 328-7500		
PART NAME ML414 (4.8mm) SMT RETAINER		
MATERIAL .006 [0.152] TH'K PHOSPHOR BRONZE		
FINISH GOLD FLASH		DRN BY NT DATE 6.23.09
		APP'D RH SCALE 8X
TOLERANCES INCH [MM] DECIMAL ±.010 [±0.25] ANGULAR ± 1° UNLESS OTHERWISE SPECIFIED	CODE C	DWG NO. <b>2994</b>