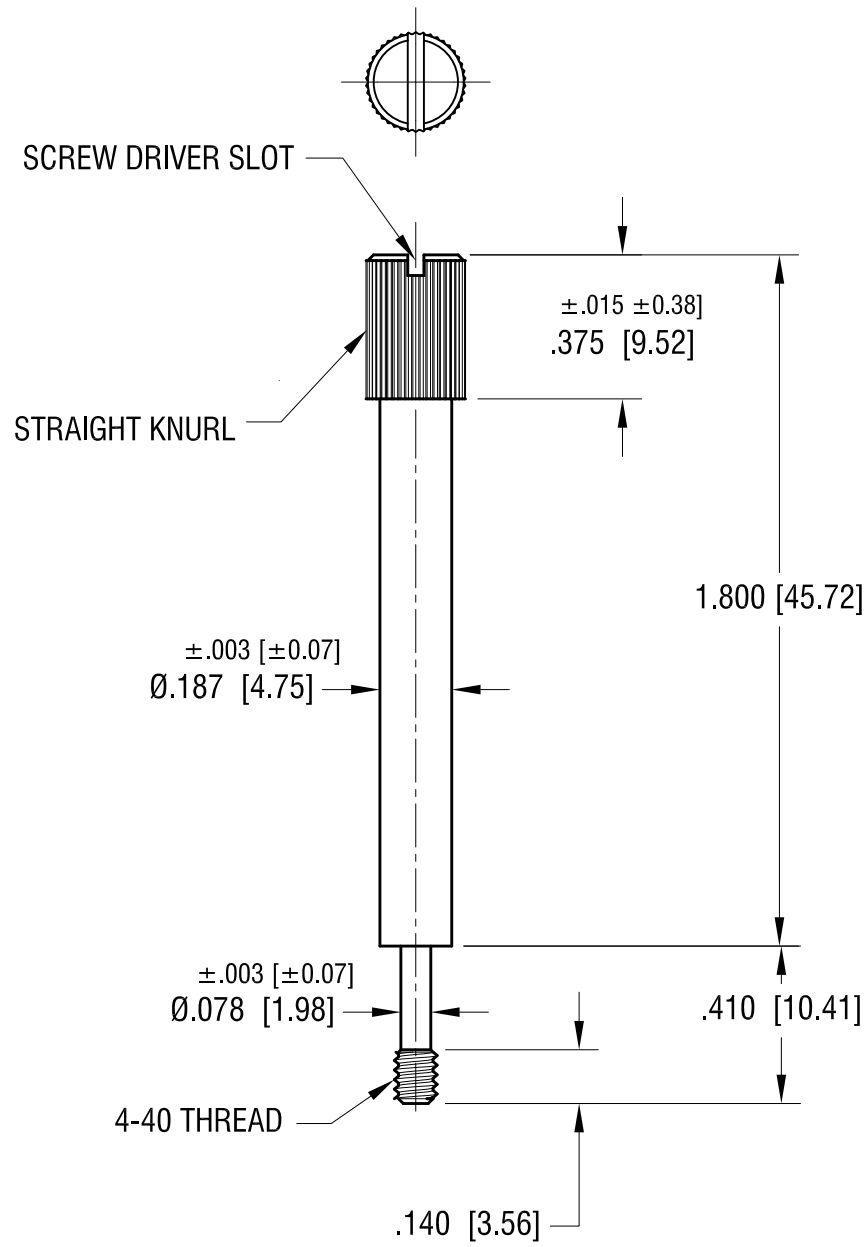


THIS DOCUMENT IS THE PROPERTY OF  
KEYSTONE ELECTRONICS CORP. AND  
SHALL NOT BE REPRODUCED, DISTRIBUTED  
OR USED AS A BASIS FOR MANUFACTURE  
WITHOUT PRIOR WRITTEN PERMISSION  
FROM KEYSTONE ELECTRONICS CORP.

ACTUAL SIZE



<b>KEYSTONE ELECTRONICS CORP.</b>			
www.keyelco.com • NEW HYDE PARK, NY 11040 • Tel (516) 328-7500			
PART NAME			
JACK SCREW , TURNABLE			
MATERIAL			
STEEL			
FINISH		DRN BY	DATE
ZINC PLATE		BOONE	1.19.96
		APP'D	SCALE
		RH	2X
TOLERANCES	INCH [MM]	CODE	DWG NO.
DECIMAL	± .010 [± 0.25]	C	2073
ANGULAR	± 1°		
UNLESS OTHERWISE SPECIFIED			

12.18.23	CHANGE AS PER ECN 23-317	B
1.3.00	CHANGED PER PER ECN 00-002	A
DATE	DESCRIPTION	REV.