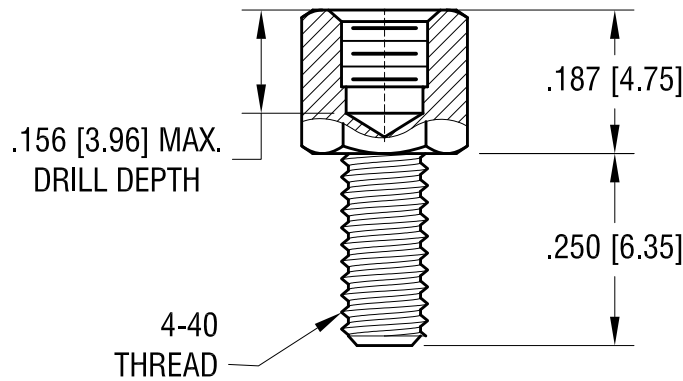
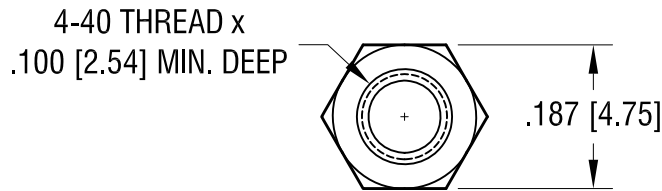


THIS DOCUMENT IS THE PROPERTY OF
KEYSTONE ELECTRONICS CORP. AND
SHALL NOT BE REPRODUCED, DISTRIBUTED
OR USED AS A BASIS FOR MANUFACTURE
WITHOUT PRIOR WRITTEN PERMISSION
FROM KEYSTONE ELECTRONICS CORP.

ACTUAL SIZE



NOTE:

1. FINISH: ZINC PLATE
TRIVALANT YELLOW CHROMATE

12.13.23	SPLIT C/M DARWING TO 'C' &'M CHANGE AS PER ECN 23-309	D
8.17.09	CHANGE AS PER ECN 09-116	C
5.09.05	CHANGE AS PER ECN 05-024	B
DATE	DESCRIPTION	REV.

KEYSTONE ELECTRONICS CORP.			
www.keyelco.com • NEW HYDE PARK NY 11040 • Tel (516)328-7500			
PART NAME		JACK SCREW	
MATERIAL		STEEL	
FINISH	AS NOTED	DRN BY BOONE	DATE 11.14.83
		APP'D RH	SCALE 4X
TOLERANCES	INCH [MM]	CODE	DWG NO.
DECIMAL	± .005 [± 0.13]	C	7228
ANGULAR	± 1°		
UNLESS OTHERWISE SPECIFIED			