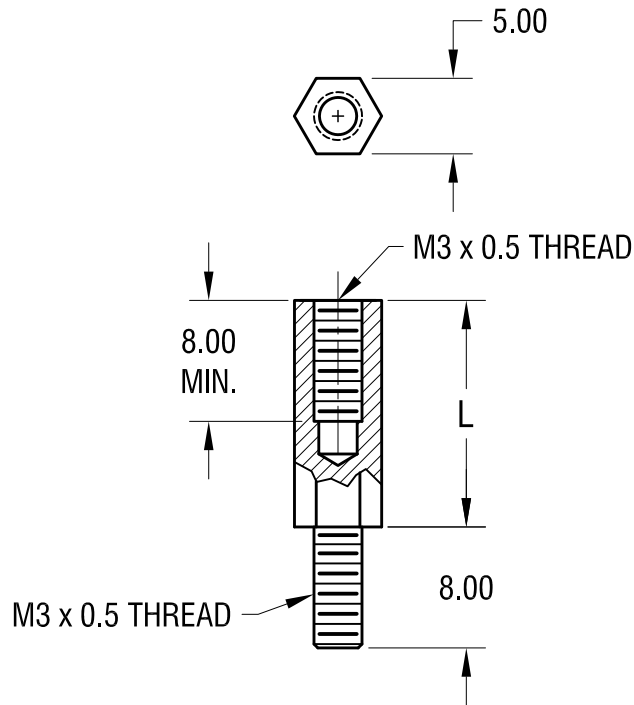
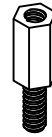


THIS DOCUMENT IS THE PROPERTY OF  
KEYSTONE ELECTRONICS CORP. AND  
SHALL NOT BE REPRODUCED, DISTRIBUTED  
OR USED AS A BASIS FOR MANUFACTURE  
WITHOUT PRIOR WRITTEN PERMISSION  
FROM KEYSTONE ELECTRONICS CORP.

ACTUAL SIZE



PART NO.	'L' DIM.
25501	10.00
25502	12.00
25503	15.00
25504	18.00
25505	20.00
25506	25.00

**NOTE:**

1. ALL DIMENSIONS ARE IN MILLIMETERS

<b>KEYSTONE ELECTRONICS CORP.</b>			
www.keyelco.com • NEW HYDE PARK NY 11040 • Tel (516)328-7500			
PART NAME			
5mm M/F/ HEX STANDOFF			
MATERIAL			
NYLON 6/6			
FINISH		DRN BY	DATE
NONE		BOONE	7.18.06
		APP'D	SCALE
		RH	2X
TOLERANCES	INCH	[MM]	CODE
DECIMAL	±	[± 0.40 ]	C
ANGULAR	± 1°		
UNLESS OTHERWISE SPECIFIED			DWG NO.
			<b>25501 - 25506</b>

DATE	DESCRIPTION	REV.