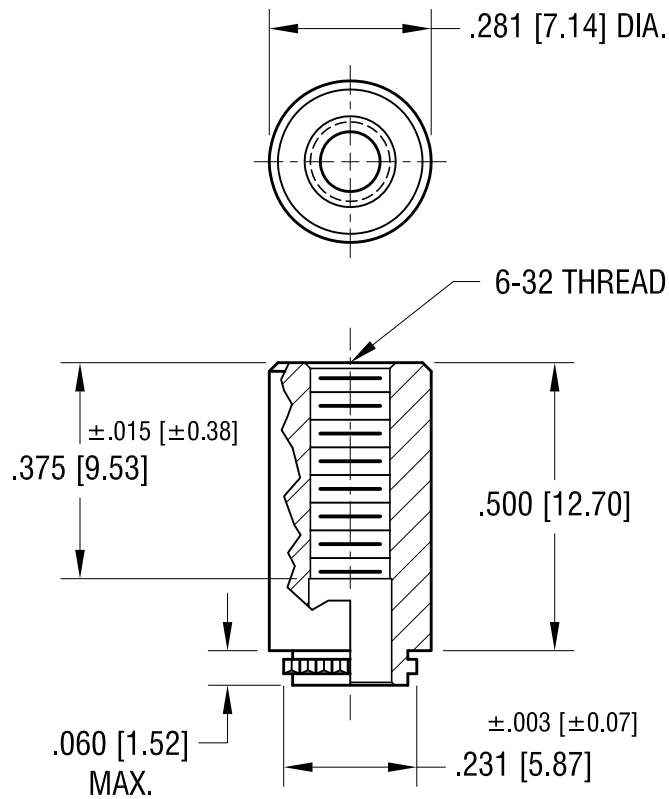
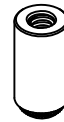


THIS DOCUMENT IS THE PROPERTY OF  
KEYSTONE ELECTRONICS CORP. AND  
SHALL NOT BE REPRODUCED, DISTRIBUTED  
OR USED AS A BASIS FOR MANUFACTURE  
WITHOUT PRIOR WRITTEN PERMISSION  
FROM KEYSTONE ELECTRONICS CORP.

ACTUAL SIZE



|          |                          |      |
|----------|--------------------------|------|
| 11.22.21 | CHANGE AS PER ECN 21-149 | C    |
| 12.19.05 | CHANGE AS PER ECN 05-087 | B    |
| 6.19.00  | CHANGE AS PER ECN 00-055 | A    |
| DATE     | DESCRIPTION              | REV. |

|  |                           |        |             |
|--|---------------------------|--------|-------------|
| <b>KEYSTONE ELECTRONICS CORP.</b>                            |                           |        |             |
| www.keyelco.com • NEW HYDE PARK NY 11040 • Tel (516)328-7500 |                           |        |             |
| PART NAME  |                           |        |             |
| FORCE-FIT STANDOFF, THREADED                                 |                           |        |             |
| MATERIAL   |                           |        |             |
| STAINLESS STEEL  |                           |        |             |
| FINISH   |                           | DRN BY | DATE        |
| NONE   |                           | BOONE  | 7.29.96     |
|  |                           | APP'D  | SCALE       |
|  |                           | LN     | 3X          |
| TOLERANCES   | INCH [MM]                 | CODE   | DWG NO.     |
| DECIMAL  | $\pm .005$ [ $\pm 0.13$ ] | C      | <b>4870</b> |
| ANGULAR  | $\pm 1^\circ$             |        |             |
| UNLESS OTHERWISE SPECIFIED                                   |                           |        |             |