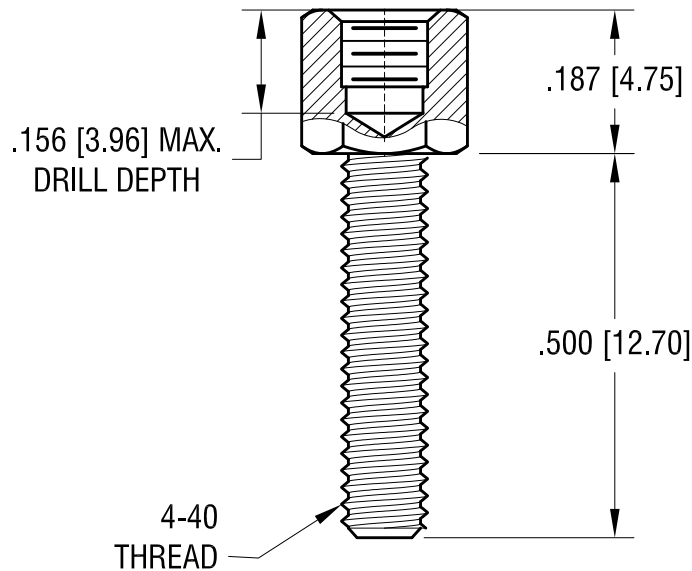
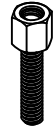
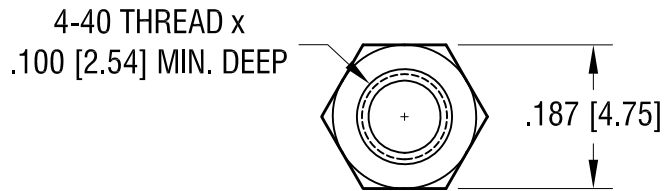


THIS DOCUMENT IS THE PROPERTY OF
KEYSTONE ELECTRONICS CORP. AND
SHALL NOT BE REPRODUCED, DISTRIBUTED
OR USED AS A BASIS FOR MANUFACTURE
WITHOUT PRIOR WRITTEN PERMISSION
FROM KEYSTONE ELECTRONICS CORP.

ACTUAL SIZE



NOTE:

1. FINISH: ZINC PLATE
TRIVALANT YELLOW CHROMATE

KEYSTONE ELECTRONICS CORP.

www.keyelco.com • NEW HYDE PARK NY 11040 • Tel (516)328-7500

| | | | |
|----------------------------|-----------------|-----------------|-----------------|
| PART NAME | | JACK SCREW | |
| MATERIAL | | STEEL | |
| FINISH | AS NOTED | DRN BY BOONE | DATE 2.01.06 |
| | | APP'D RH | SCALE 4X |
| TOLERANCES | INCH [MM] | CODE | DWG NO. |
| DECIMAL | ± .005 [± 0.13] | C | 7243 |
| ANGULAR | ± 1° | | |
| UNLESS OTHERWISE SPECIFIED | | | |

12.13.23 | SPLIT C/M DRAWING TO 'C' &'M
CHANGE AS PER ECN 23-308

A
REV.

| DATE | DESCRIPTION |
|------|-------------|
|------|-------------|