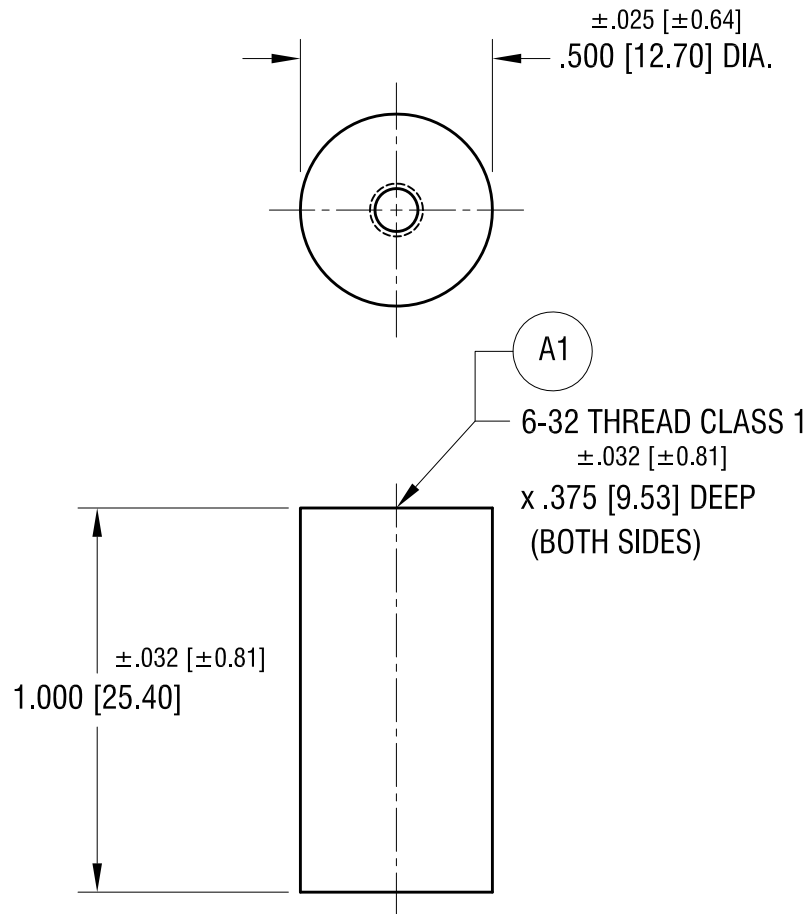
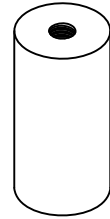


THIS DOCUMENT IS THE PROPERTY OF
KEYSTONE ELECTRONICS CORP. AND
SHALL NOT BE REPRODUCED, DISTRIBUTED
OR USED AS A BASIS FOR MANUFACTURE
WITHOUT PRIOR WRITTEN PERMISSION
FROM KEYSTONE ELECTRONICS CORP.

ACTUAL SIZE



KEYSTONE ELECTRONICS CORP.

www.keyelco.com • NEW HYDE PARK NY 11040 • Tel (516)328-7500

PART NAME				CERAMIC STANDOFF			
MATERIAL				GRADE L5 CERAMIC			
FINISH		GLAZED		DRN BY	BOONE	DATE	11.22.96
				APP'D	RH	SCALE	3X
TOLERANCES	INCH	[MM]	CODE	DWG NO.			
DECIMAL	± .005	[± 0.13]	C	7716			
ANGULAR	± 1°						
UNLESS OTHERWISE SPECIFIED							

3.30.22	A1 WAS .375 ±.020 DEEP CHANGE AS PER ECN 22-062	A
DATE	DESCRIPTION	REV.