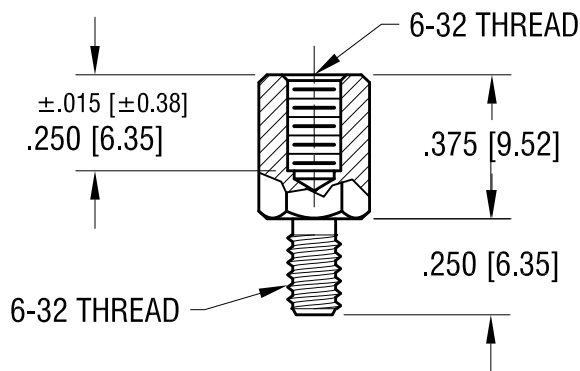
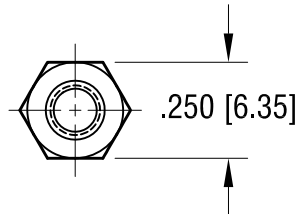
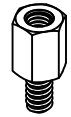


THIS DOCUMENT IS THE PROPERTY OF  
KEYSTONE ELECTRONICS CORP. AND  
SHALL NOT BE REPRODUCED, DISTRIBUTED  
OR USED AS A BASIS FOR MANUFACTURE  
WITHOUT PRIOR WRITTEN PERMISSION  
FROM KEYSTONE ELECTRONICS CORP.

ACTUAL SIZE



<b>KEYSTONE ELECTRONICS CORP.</b>			
www.keyelco.com • NEW HYDE PARK, NY 11040 • Tel (516) 328-7500			
PART NAME		HEX M/F STANDOFF	
MATERIAL		LEAD FREE ALUMINUM	
FINISH		DRN BY	DATE
CLEAR IRIDITE		BOONE	2.09.98
		APP'D	SCALE
		RH	2X
TOLERANCES		INCH	[MM]
DECIMAL		± .005	[± 0.13]
ANGULAR		± 1°	
UNLESS OTHERWISE SPECIFIED		CODE	DWG NO.
		C	<b>8413</b>

1.10.24	CHANGE AS PER ECR 24-026	A
DATE	DESCRIPTION	REV.