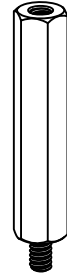
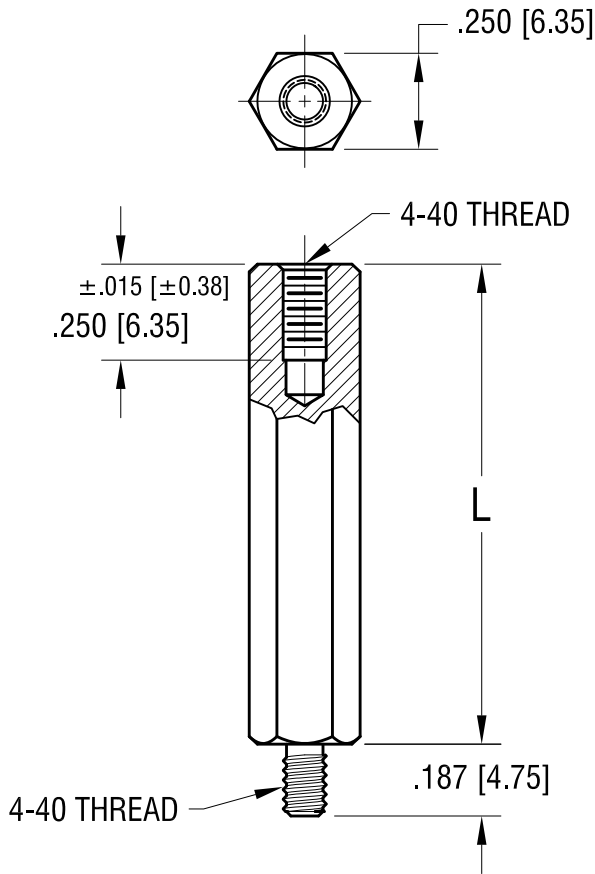


THIS DOCUMENT IS THE PROPERTY OF KEYSTONE ELECTRONICS CORP. AND SHALL NOT BE REPRODUCED, DISTRIBUTED OR USED AS A BASIS FOR MANUFACTURE WITHOUT PRIOR WRITTEN PERMISSION FROM KEYSTONE ELECTRONICS CORP.

ACTUAL SIZE



P/N 8407



PART NO.	'L' DIM.
8407	1.250 [31.75]
8408	1.375 [34.93]
8409	1.500 [38.10]
8410	1.625 [41.28]
8411	1.750 [44.45]
8412	2.000 [50.80]

1.04.24	CHANGE AS PER ECN 24-014	C
7.7.22	CHANGE AS PER ECN 22-115	B
3.3.97	CHANGE AS PER ECR 97-019	A
DATE	DESCRIPTION	REV.

KEYSTONE ELECTRONICS CORP.
 www.keyelco.com • NEW HYDE PARK NY 11040 • Tel (516)328-7500

PART NAME: **HEX M/F STANDOFF**

MATERIAL: **LEAD FREE ALUMINUM**

FINISH: **CLEAR IRIDITE**

DRN BY: **BOONE** DATE: **4.26.94**

APP'D: **RH** SCALE: **2X**

TOLERANCES INCH [MM]

DECIMAL ± .005 [± 0.13]

ANGULAR ± 1°

UNLESS OTHERWISE SPECIFIED

CODE: **C**

DWG NO. **8407-8412**