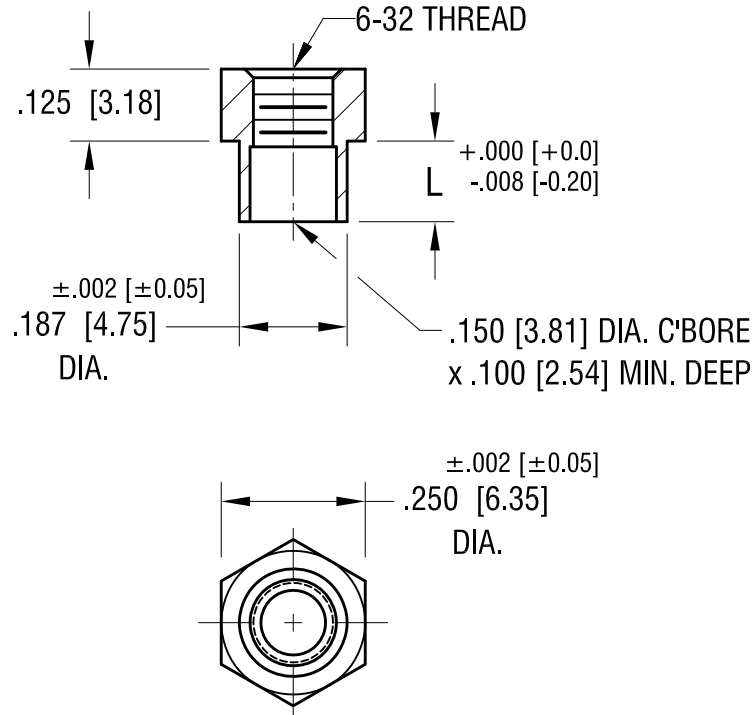


THIS DOCUMENT IS THE PROPERTY OF  
KEYSTONE ELECTRONICS CORP. AND  
SHALL NOT BE REPRODUCED, DISTRIBUTED  
OR USED AS A BASIS FOR MANUFACTURE  
WITHOUT PRIOR WRITTEN PERMISSION  
FROM KEYSTONE ELECTRONICS CORP.

ACTUAL SIZE



P/N 1620-2



PART NO.	'L' DIM.
1620-2	.109 [2.77]
1620-3	.140 [3.56]
1620-4	.171 [4.34]

**KEYSTONE ELECTRONICS CORP.**

www.keyelco.com • NEW HYDE PARK NY 11040 • Tel (516)328-7500

PART NAME

SWAGE THREADED STANDOFF

MATERIAL

BRASS

FINISH

DUCTILE  
NICKEL PLATE

DRN BY

BOONE

DATE

10.27.95

APP'D

LN

SCALE

3X

TOLERANCES

INCH [MM]  
DECIMAL ± .005 [± 0.13 ]

CODE

DWG NO.

C

1620-

ANGULAR ± 1°  
UNLESS OTHERWISE SPECIFIED

11.22.21 CHANGE AS PER ECN 21-172

B

5.16.02 CHANGE AS PER ECN 02-054

A

DATE

DESCRIPTION

REV.