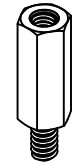
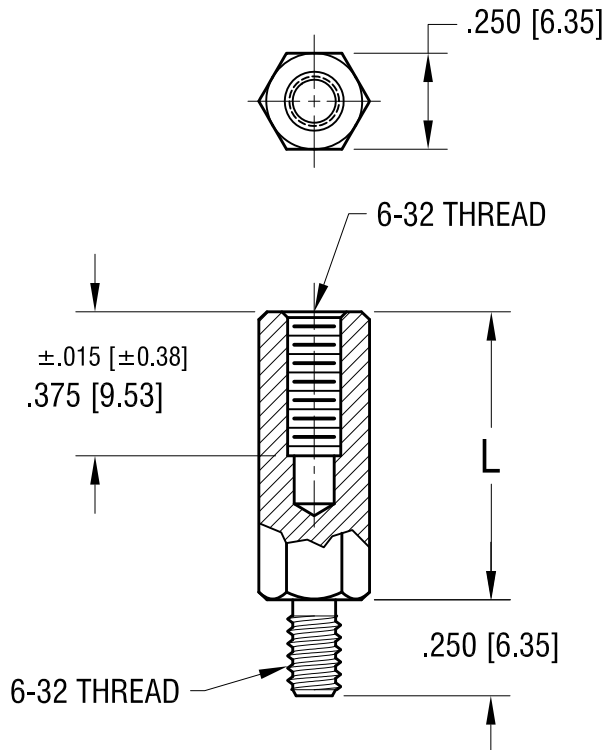


THIS DOCUMENT IS THE PROPERTY OF  
KEYSTONE ELECTRONICS CORP. AND  
SHALL NOT BE REPRODUCED, DISTRIBUTED  
OR USED AS A BASIS FOR MANUFACTURE  
WITHOUT PRIOR WRITTEN PERMISSION  
FROM KEYSTONE ELECTRONICS CORP.

ACTUAL SIZE



P/N 1953



PART NO.	'L' DIM.
1953	.625 [15.87]
1954	.750 [19.05]

**KEYSTONE ELECTRONICS CORP.**

www.keyelco.com • NEW HYDE PARK, NY 11040 • Tel (516) 328-7500

PART NAME		HEX M/F STANDOFF	
MATERIAL		BRASS	
FINISH		DRN BY	DATE
NICKEL PLATE		BOONE	7.30.82
TOLERANCES		APP'D	SCALE
INCH	[MM]	LN	2X
DECIMAL	± .005 [± 0.13]	DWG NO.	
ANGULAR	± 1°	1953-1954	
UNLESS OTHERWISE SPECIFIED		CODE	C

7.7.22	CHANGE AS PER ECN 22-120	B
7.7.22	CHANGE AS PER ECR 96-015	A
DATE	DESCRIPTION	REV.