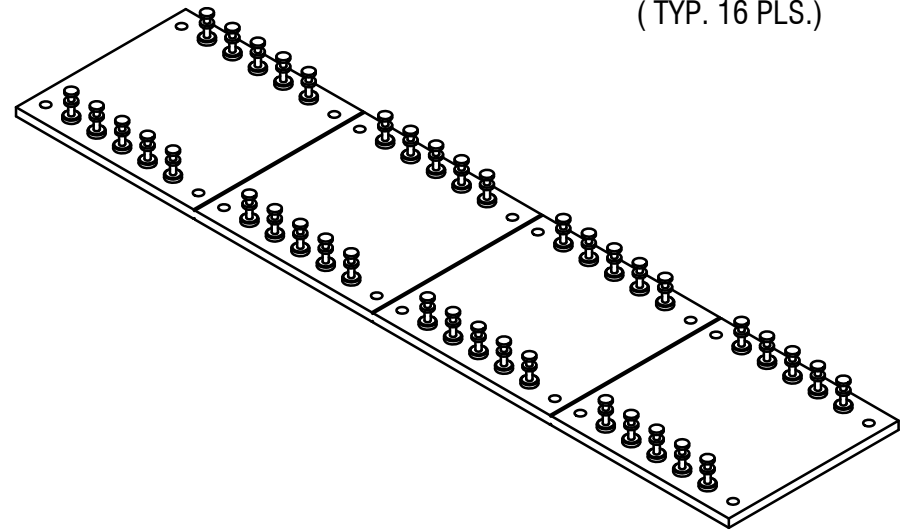
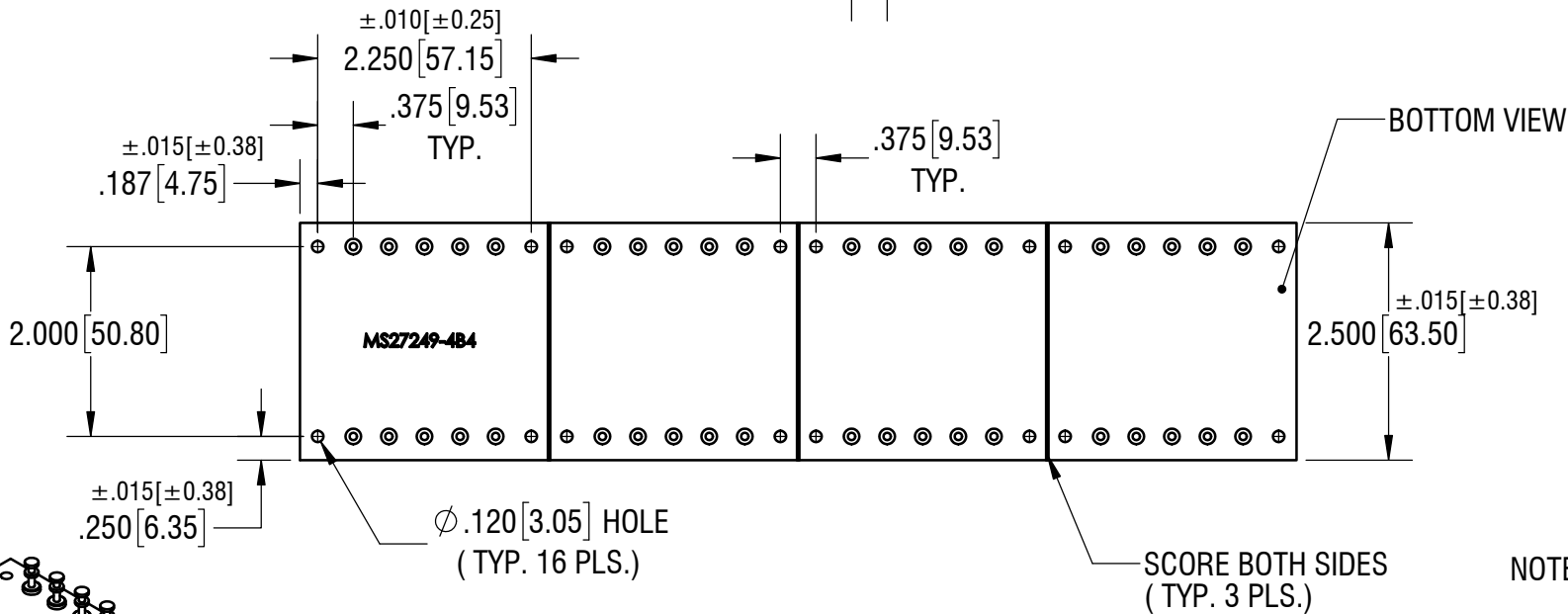
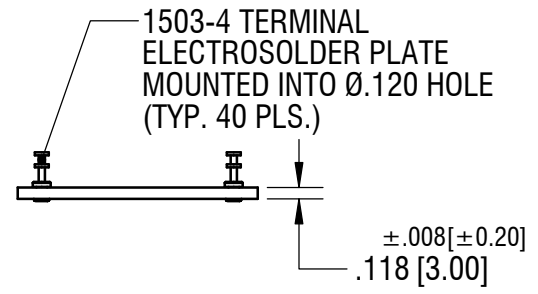
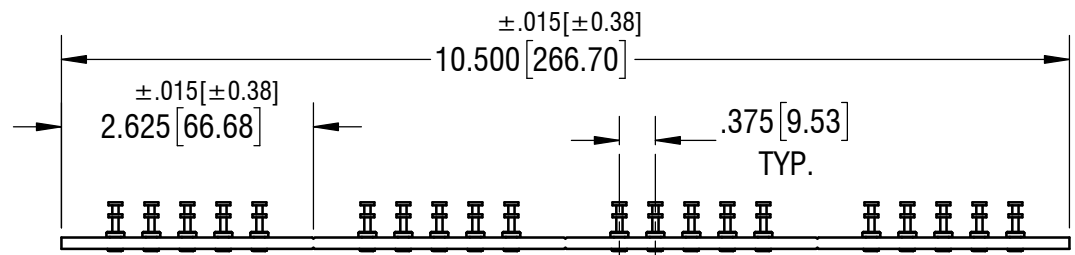


DATE	DESCRIPTION	REV.



NOTE:  
1. STAMP P/N MS27249-4B4 APPROX AS SHOWN.

<b>KEYSTONE ELECTRONICS CORP.</b>			
www.keyeclco.com • NEW HYDE PARK, NY 11040 • Tel (516) 328-7500			
PART NAME		TERMINAL BOARD,(4) SECTION	
MATERIAL		.118 [3.00] TH'K G-11 GLASS EPOXY	
FINISH	NONE	DRN BY	BOONE
		DATE	1.26.98
		SCALE	2X
TOLERANCES		INCH	[MM]
DECIMAL		±.005	±.013
ANGULAR		±1°	
UNLESS OTHERWISE SPECIFIED		CODE	C
		DWG NO.	MS272494B4

THIS DOCUMENT IS THE PROPERTY OF KEYSTONE ELECTRONICS CORP. AND SHALL NOT BE REPRODUCED, DISTRIBUTED OR USED AS A BASIS FOR MANUFACTURE WITHOUT PRIOR WRITTEN PERMISSION FROM KEYSTONE ELECTRONICS CORP.