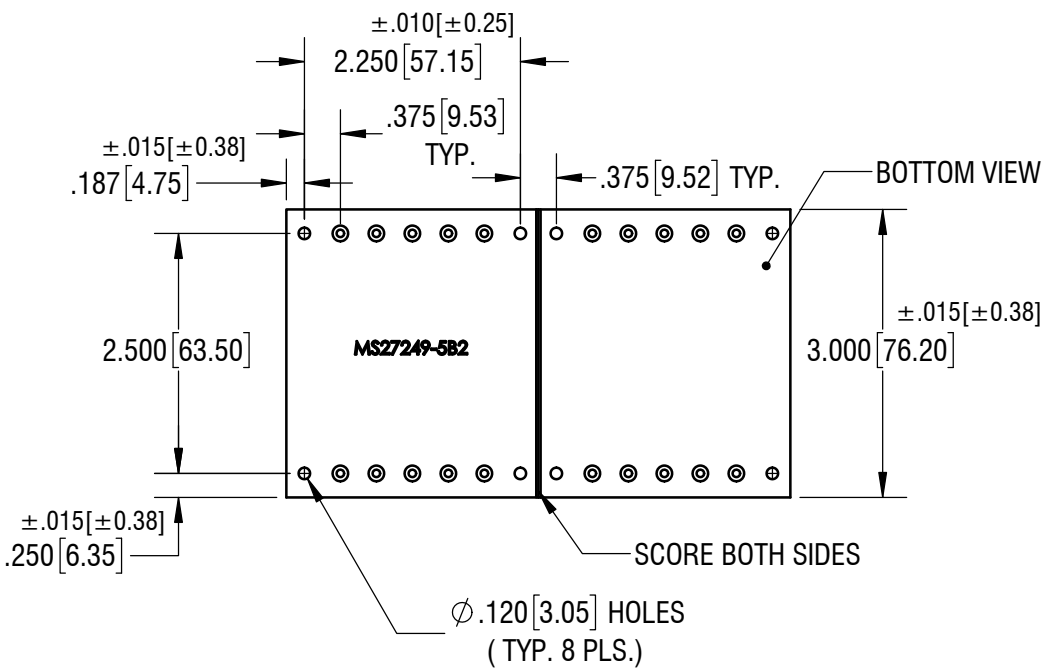
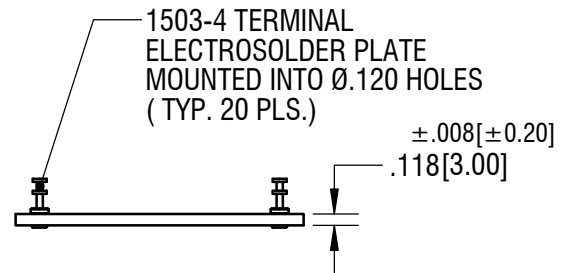
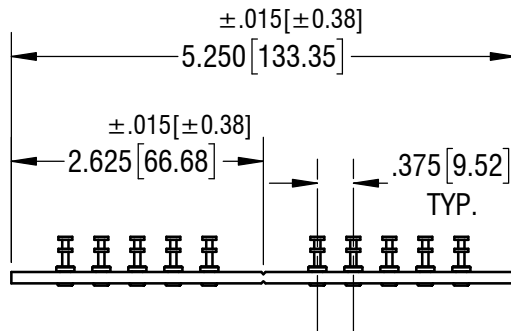
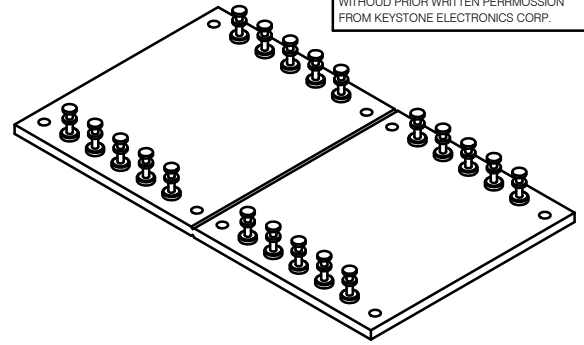


THIS DOCUMENT IS THE PROPERTY OF
KEYSTONE ELECTRONICS CORP. AND
SHALL NOT BE REPRODUCED, DISTRIBUTED
OR USED AS A BASIS FOR MANUFACTURE
WITHOUT PRIOR WRITTEN PERMISSION
FROM KEYSTONE ELECTRONICS CORP.



NOTE:

1. STAMP P/N: MS27249-5B2 APPROX AS SHOWN.

KEYSTONE ELECTRONICS CORP.			
www.keystone.com • NEW HYDE PARK, NY 11040 • Tel (516) 328-7500			
PART NAME		TERMINAL BOARD, (2) SECTION	
MATERIAL		.118 [3.00] TH'K G-11 GLASS EPOXY	
FINISH	NONE	DRN BY	BOONE
		DATE	5.14.94
		APPD	RH
		SCALE	2X
TOLERANCES	INCH	[MM]	CODE
DECIMAL	$\pm .005$	[± 0.13]	C
ANGULAR	$\pm 1^\circ$		
UNLESS OTHERWISE SPECIFIED			
DWG NO.		MS272495B2	

DATE	DESCRIPTION	REV.