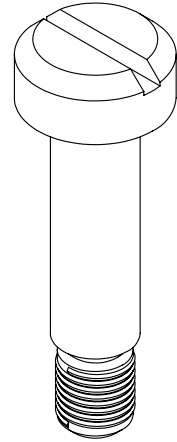
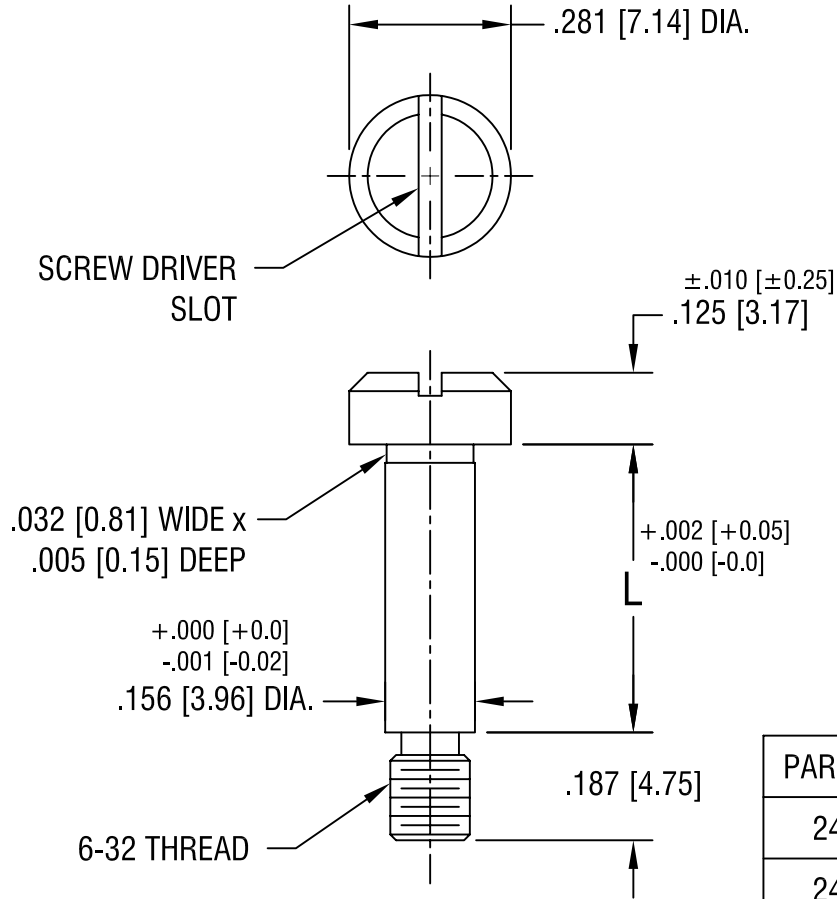


THIS DOCUMENT IS THE PROPERTY OF  
KEYSTONE ELECTRONICS CORP. AND  
SHALL NOT BE REPRODUCED, DISTRIBUTED  
OR USED AS A BASIS FOR MANUFACTURE  
WITHOUT PRIOR WRITTEN PERMISSION  
FROM KEYSTONE ELECTRONICS CORP.



| PART NO. | 'L' DIM.     |
|----------|--------------|
| 2425     | .125 [3.17]  |
| 2426     | .250 [6.35]  |
| 2427     | .375 [9.52]  |
| 2428     | .500 [12.70] |
| 2429     | .625 [15.87] |
| 2430     | .750 [19.05] |

|          |                          |      |
|----------|--------------------------|------|
| 7.15.08  | CHANGE AS PER ECN 08-122 | B    |
| 11.14.07 | CHANGE AS PER ECN 07-081 | A    |
| DATE     | DESCRIPTION              | REV. |

|                                   |                 |        |                  |
|-----------------------------------|-----------------|--------|------------------|
| <b>KEYSTONE ELECTRONICS CORP.</b> |                 |        |                  |
| ASTORIA, N.Y. 11105-2017          |                 |        |                  |
| PART NAME                         |                 |        |                  |
| SHOULDER SCREW - SLOTTED          |                 |        |                  |
| MATERIAL                          |                 |        |                  |
| STAINLESS STEEL                   |                 |        |                  |
| FINISH                            |                 | DRN BY | DATE             |
| -                                 |                 | BOONE  | 8.16.95          |
|                                   |                 | APP'D  | SCALE            |
|                                   |                 | LN     | 3X               |
| TOLERANCES                        | INCH [MM]       | CODE   | DWG NO.          |
| DECIMAL                           | ± .005 [± 0.15] | C/M    | <b>2425-2430</b> |
| ANGULAR                           | ± 1°            |        |                  |
| UNLESS OTHERWISE SPECIFIED        |                 |        |                  |