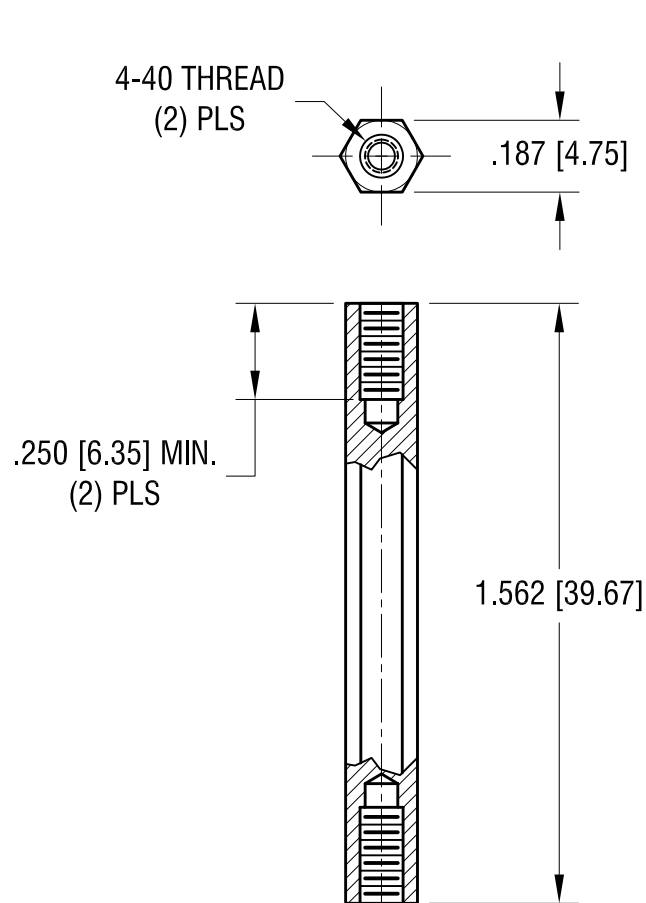


THIS DOCUMENT IS THE PROPERTY OF  
KEYSTONE ELECTRONICS CORP. AND  
SHALL NOT BE REPRODUCED, DISTRIBUTED  
OR USED AS A BASIS FOR MANUFACTURE  
WITHOUT PRIOR WRITTEN PERMISSION  
FROM KEYSTONE ELECTRONICS CORP.

ACTUAL SIZE



|  |                 |                       |                  |
|--|-----------------|-----------------------|------------------|
| <b>KEYSTONE ELECTRONICS CORP.</b>                              |                 |                       |                  |
| www.keyelco.com • NEW HYDE PARK, NY 11040 • Tel (516) 328-7500 |                 |                       |                  |
| PART NAME  |                 | THREADED HEX STANDOFF |                  |
| MATERIAL   |                 | BRASS                 |                  |
| FINISH   |                 | DRN BY                | DATE             |
| NICKEL PLATE   |                 | NT                    | 5.30.12          |
|  |                 | APP'D                 | SCALE            |
|  |                 | LN                    | 2X               |
| TOLERANCES   | INCH [MM]       | CODE                  | DWG NO.          |
| DECIMAL  | ± .005 [± 0.13] | C                     | <b>NC120744B</b> |
| ANGULAR  | ± 1°            |                       |                  |
| UNLESS OTHERWISE SPECIFIED                                     |                 |                       |                  |

|      |             |      |  |
|------|-------------|------|--|
| DATE | DESCRIPTION | REV. |  |
|------|-------------|------|--|