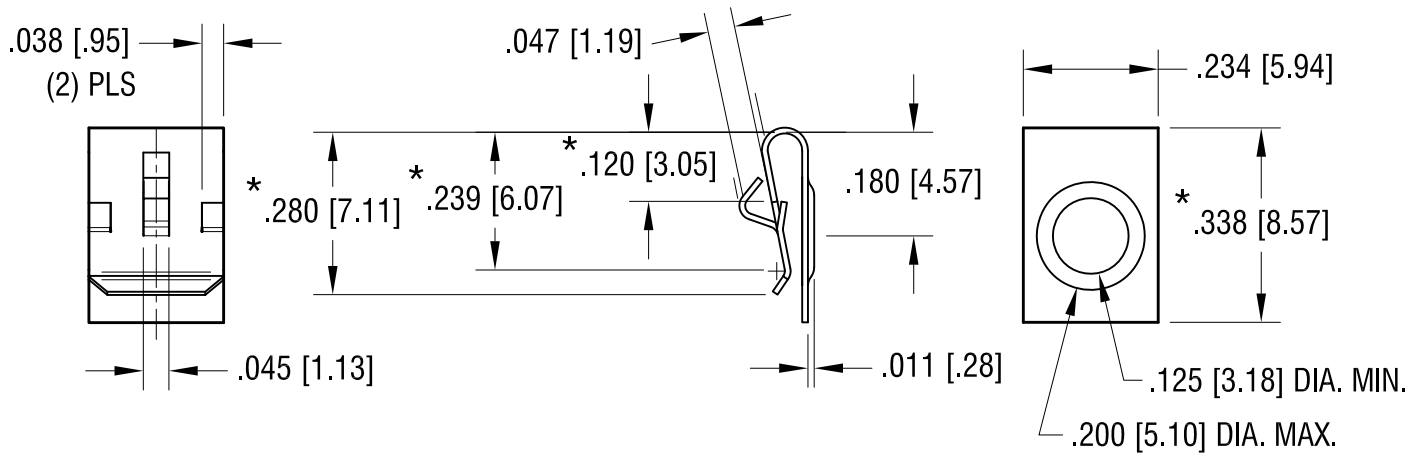


THIS DOCUMENT IS THE PROPERTY OF  
KEYSTONE ELECTRONICS CORP. AND  
SHALL NOT BE REPRODUCED, DISTRIBUTED  
OR USED AS A BASIS FOR MANUFACTURE  
WITHOUT PRIOR WRITTEN PERMISSION  
FROM KEYSTONE ELECTRONICS CORP.

**ACTUAL SIZE**



**NOTE:**

1. DESIGNED TO CLIP OVER PANELS  
FROM .060 [1.52] THRU .070 [1.78] TH'K.
2. \* DENOTES  $\pm .015$  [ $\pm .38$ ] TOLERANCE

9.09.16	CHANGE AS PER ECN 16-084	E
6.24.16	CHANGE AS PER ECR 16-030	D
8.26.13	CHANGE AS PER ECN13-067	C
5.20.03	CHANGE AS PER ECN 03-039	B
8.10.00	CHANGE AS PER ECN 00-080	A
DATE	DESCRIPTION	REV.

<b>KEYSTONE ELECTRONICS CORP.</b>			
www.keyelco.com • NEW HYDE PARK, NY 11040 • Tel (516) 328-7500			
PART NAME		SINGLE 'AAA' - 'AAAA' CONTACT	
MATERIAL		.010 [0.25] TH'K STAINLESS STEEL	
FINISH		DRN BY	DATE
NICKEL PLATE		BOONE	5.21.99
		APP'D	SCALE
TOLERANCES INCH [MM] DECIMAL $\pm .010$ [ $\pm 0.25$ ] ANGULAR $\pm 1^\circ$ UNLESS OTHERWISE SPECIFIED		CODE	DWG NO.
		C	238