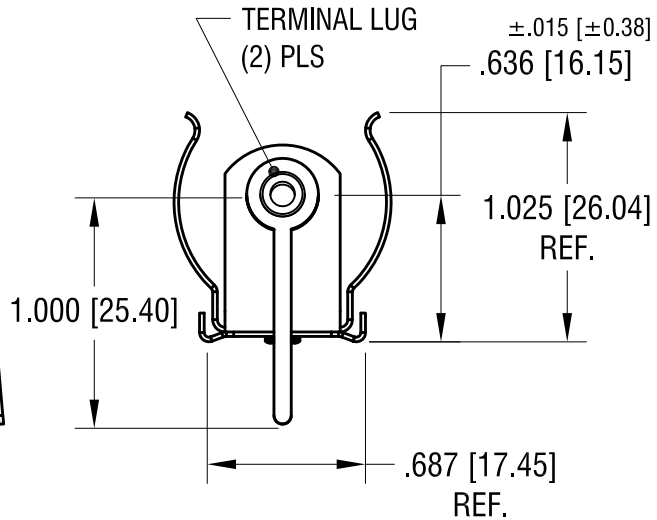
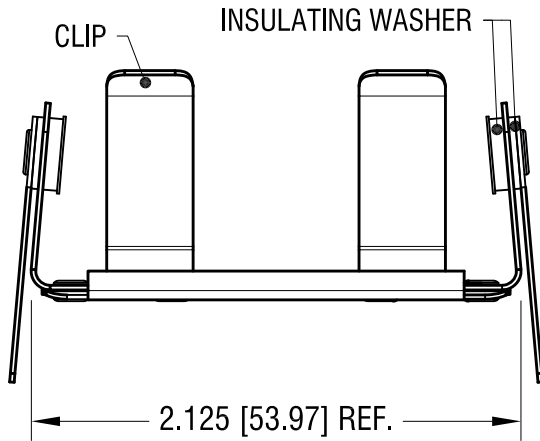
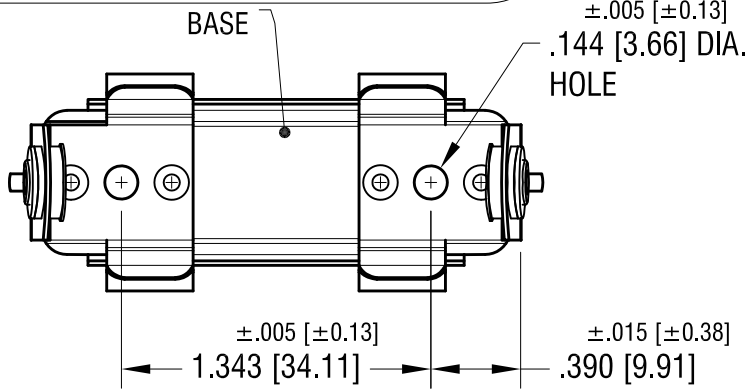
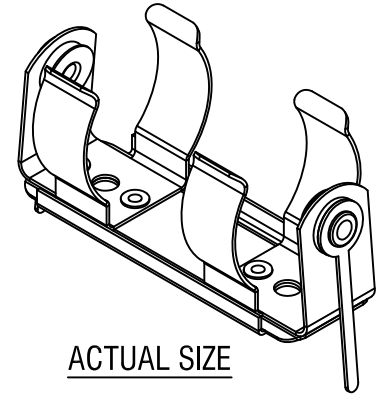
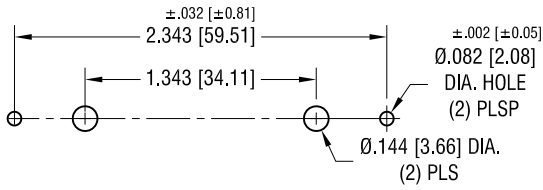


THIS DOCUMENT IS THE PROPERTY OF KEYSTONE ELECTRONICS CORP. AND SHALL NOT BE REPRODUCED, DISTRIBUTED OR USED AS A BASIS FOR MANUFACTURE WITHOUT PRIOR WRITTEN PERMISSION FROM KEYSTONE ELECTRONICS CORP.

**MOUNTING DETAILS**



**NOTES:**

1. BASE: MAT'L - STAINLESS STEEL
2. CLIP: MAT'L - SPRING STEEL  
FINISH - NICKEL PLATE
3. LUG: MAT'L - BRASS  
FINISH - TIN PLATE

**KEYSTONE ELECTRONICS CORP.**

www.keyelco.com • NEW HYDE PARK NY 11040 • Tel (516)328-7500

PART NAME

INSULATED BATTERY HOLDER (1) 'C'

MATERIAL

AS NOTED

FINISH

AS NOTED

DRN BY

BOONE

DATE

8.09.82

APP'D

RH

SCALE

1.2X

TOLERANCES

INCH [MM]

DECIMAL

$\pm .010$  [ $\pm 0.25$ ]

ANGULAR

$\pm 1^\circ$

UNLESS OTHERWISE SPECIFIED

CODE

C

DWG NO.

2230

9.11.09

CHANGE AS PER ECN 09-125

B

6.24.02

CHANGE AS PER ECN 02-059

A

DATE

DESCRIPTION

REV.