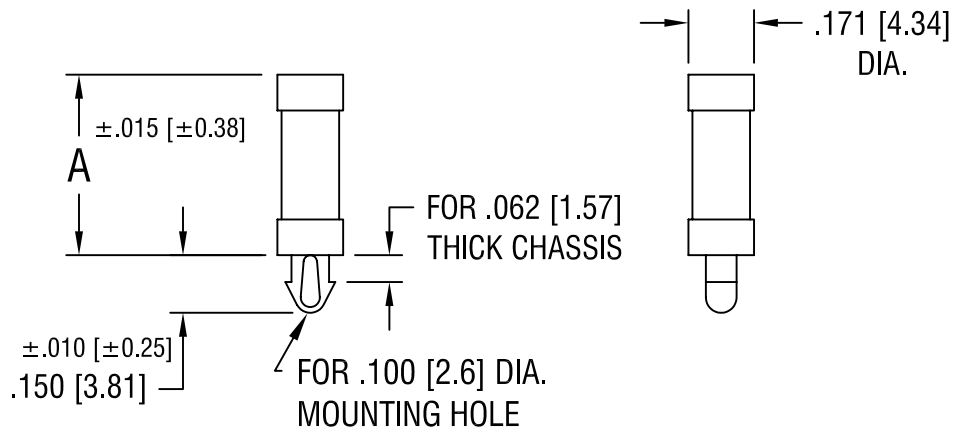


THIS DOCUMENT IS THE PROPERTY OF
KEYSTONE ELECTRONICS CORP. AND
SHALL NOT BE REPRODUCED, DISTRIBUTED
OR USED AS A BASIS FOR MANUFACTURE
WITHOUT PRIOR WRITTEN PERMISSION
FROM KEYSTONE ELECTRONICS CORP.



| PART NO. | 'A' DIM. |
|----------|--------------|
| 9055 | .125 [3.18] |
| 9056 | .187 [4.75] |
| 9057 | .250 [6.35] |
| 9058 | .375 [9.52] |
| 9059 | .500 [12.70] |
| 9060 | .625 [15.87] |

KEYSTONE ELECTRONICS CORP.

ASTORIA, N.Y. 11105-2017

PART NAME

PC LOCK-IN SUPPORT

MATERIAL

NYLON UL 94V-0

FINISH

-

DRN BY

BOONE

DATE

8.29.06

APP'D

LN

SCALE

2X

TOLERANCES

INCH

[MM]

CODE

DWG NO.

DECIMAL $\pm .005$ [± 0.15]

C/M

ANGULAR $\pm 1^\circ$
UNLESS OTHERWISE SPECIFIED

9055-9060

DATE

DESCRIPTION

REV.